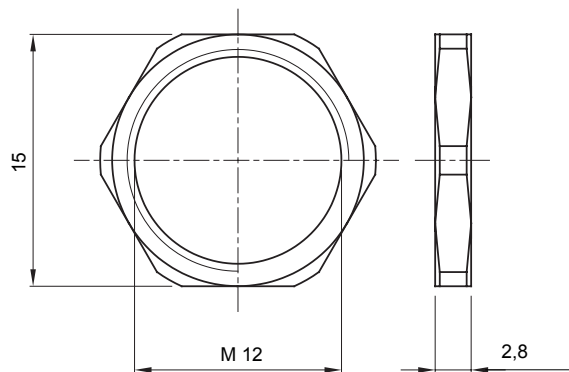




Systems of accessories for electrical installations used for residential, tertiary and industrial applications. The system consists of fasteners for pipes and cables, cable fittings, accessories for rigid pipes (RK Series) and flexible conduit (DF Series). The system include also a wide variety of cable ties (52FS Range) and terminal blocks (44 Range).

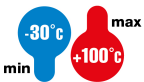
| | | | |
|---------------|---------------------|-----------------------|-------------|
| Material | Nickel-plated brass | Description | Fixing nut |
| Type of pitch | M12 | Operating temperature | -30 +100 °C |
| Electrocod | 3651 | | |

DIMENSIONAL



TECHNICAL SYMBOLOGY

INSTALLATION



STANDARDS/APPROVALS

