



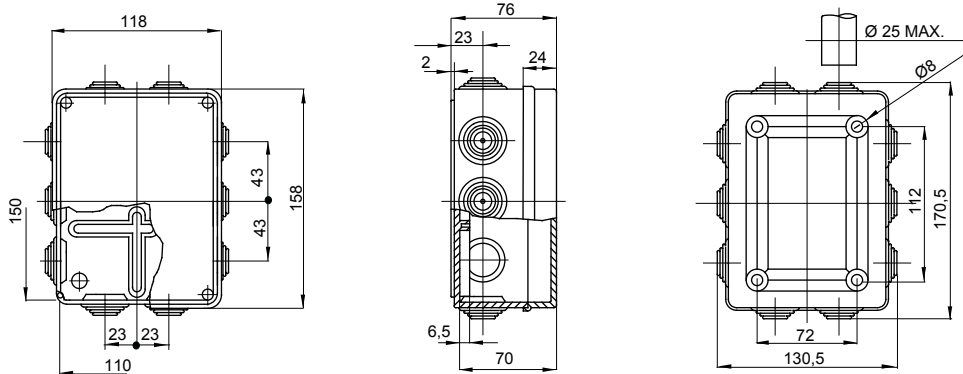
Range 44 CE - Surface-mounting watertight junction boxes in compliance with EN 60670-1 (CEI 23-48) and IEC 60670-22 (CEI 23-94) and made in high-performance technopolymers. The range includes versions with protection degree IP44, IP55, IP56 with smooth walls or with quick entry cable glands and different type of covers: blind / transparent, deep/plain, press-on/screw (in plastic, also 1/4 turn, or in metal). Available in different self-extinguishing materials (up to GWT 960 °C). Suitable for ordinary junctions, for special uses, and for industrial uses.

| | | | |
|---------------------------|--|--------------------------------------|-------------------------------|
| Insulation class | II (according to IEC 61140 standards) | Colour | Grey RAL 7035 |
| IP degree | IP55 | Material | Technopolymer GWPLAST 75 |
| Mechanical resistance | IK08 | Internal dim. LxHxD (mm) | 150x110x70 |
| Entries No. holes / Ø | 10 / 29 | Lid screws (no. and type) | 4 insul. a 1/4 turn, sealable |
| Application | Ordinary junctions | Glow Wire Test | 650 °C |
| Lid | Plain screwed | Operating temperature | -25 +60 °C |
| Type of material | Halogen-free in compliance with EN 60754-2 | Electrocod | 02210 |
| Thermo-pressure with ball | 85 °C | Torque screws tightening | 1.2 Newton/meter |
| Walls | With cable glands | Accessories for insulation restoring | GW44622 |

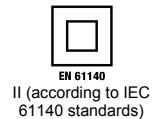
BEHAVIOUR WITH CHEMICAL AND ATMOSPHERIC AGENTS

| Saline solution | Acids | | Bases | | Solvents | | | | Mineral oil | UV rays |
|-----------------|--------------------|-----------|--------------|-----------|--------------------|---------------|---------------|--------------------|--------------------|--------------------|
| | Concentrated | Diluted | Concentrated | Diluted | Hexane | Benzol | Acetone | Alcohol | | |
| Resistant | Limited resistance | Resistant | Resistant | Resistant | Limited resistance | Not resistant | Not resistant | Limited resistance | Limited resistance | Limited resistance |

DIMENSIONAL



TECHNICAL SYMBOLOGY

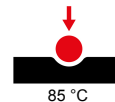
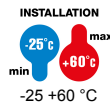


IP55

IK

IK08

650 °C



STANDARDS/APPROVALS

