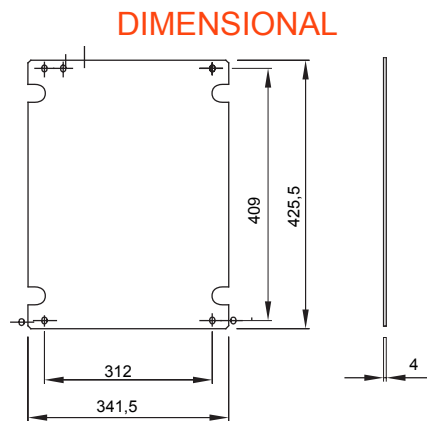


|                     |            |            |        |
|---------------------|------------|------------|--------|
| For boards LxH (mm) | 396x474    | For boards | 44 CEP |
| Type of material    | Insulation | Electrocod | 1320   |



### STANDARDS/APPROVALS

