



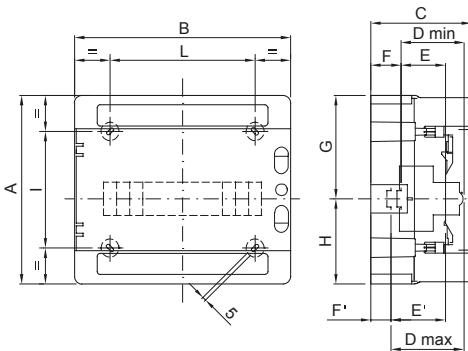
IP65 range of watertight enclosures from 4 to 72M with smoked transparent door. The main technical features are: reversible front and back panel, removable frames and panels with windows and detachable doors with up to 180° opening and lock accessory. The enclosures can be equipped with bipolar and unipolar terminal blocks, 80 A and 125 A, with screw wiring; they allow to create simple and neat wiring reducing the set-up time of the enclosure.

| | | | |
|--------------------------------------|---|----------------------------------|--|
| Insulation class | II (according to IEC 61140 standards) | Colour | Grey RAL 7035 |
| Outer dim. LxHxD (mm) | 410x285x140 | IP degree | IP65 |
| Dispersible power (W) | 38 | Mechanical resistance | IK09 |
| Rated voltage | 400 V | Door colour | Smoked Transparent |
| No. of modules EN 50022 | 18 | No. of modules EN 50022 | 18 |
| Rated current | 125 A | Glow Wire Test | 650 °C |
| Operating temperature | -25 +60 °C | Type of material | Halogen-free in compliance with EN 60754-2 |
| Electrocod | 0321 | Thermo-pressure with ball | 70 °C |
| Accessories for insulation restoring | Screwcaps (GW44623) or fixing brackets in resin (GW44621) | Standard | EN 60670-1 (CEI 23-48) IEC60670-24 CEI 23-49 |
| Insulation voltage | 1000 V according to EN 62208 both in ac as well as in dc | Max. installable terminal blocks | 1 x 18 modules |

BEHAVIOUR WITH CHEMICAL AND ATMOSPHERIC AGENTS

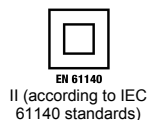
| Saline solution | Acids | | Bases | | Solvents | | | | Mineral oil | UV rays |
|-----------------|---------------|--------------------|---------------|--------------------|--------------------|---------------|---------------|--------------------|--------------------|--------------------|
| | Concentrated | Diluted | Concentrated | Diluted | Hexane | Benzol | Acetone | Alcohol | | |
| Resistant | Not resistant | Limited resistance | Not resistant | Limited resistance | Limited resistance | Not resistant | Not resistant | Limited resistance | Limited resistance | Limited resistance |

DIMENSIONAL



| | Codice | A | B | C | D min | E | F | G | H | D'max | E' | F' | NR | I | L |
|-----|-----------------|-----|-----|-----|-------|----|----|-------|-------|-------|----|----|----|-----|-----|
| 4M | GW 40 101 | 210 | 143 | 100 | 75 | 48 | 15 | 105 | 105 | - | - | - | 3 | 156 | 67 |
| 8M | GW 40 102/US/BS | 210 | 215 | 100 | 75 | 48 | 15 | 105 | 105 | - | - | - | 4 | 110 | 115 |
| 12M | GW 40 103/US/BS | 260 | 298 | 140 | 75 | 48 | 48 | 117,5 | 142,5 | 102 | 75 | 21 | 4 | 161 | 200 |
| 18M | GW 40 104/US/BS | 285 | 410 | 140 | 75 | 48 | 48 | 117,5 | 142,5 | 102 | 75 | 21 | 4 | 185 | 310 |

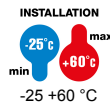
TECHNICAL SYMBOLOGY



IP
IP65

IK
IK09

GWT
650 °C



HF
HALOGEN FREE
Halogen-free in compliance with EN 60754-2



Ui
1000V
EN 62208
1000 V according to EN 62208 both in ac as well as in dc

STANDARDS/APPROVALS

