



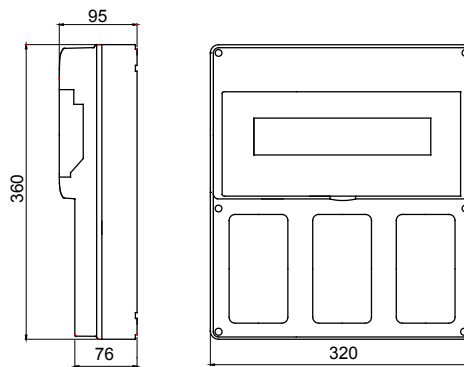
A complete system of IP65 boards for distributing energy in tertiary, commercial sector and building applications, available both empty and pre-wired, in accordance with the international standard EN 61439-3 and EN 61439-4. The distribution boards allow to house flush-mounting and interlocked socket-outlets up to 63A and versions are available with 5, 10, 14 or 20 DIN modules and additional modules 14 and 20 DIN modules in order to increase modular space inside the boards. The switches can always be inspected thanks to the wide transparent door with ergonomic handle and "hinged" screws of the front of board facilitate the wiring and maintenance. Q-DIN are ideally for fixed applications: surface-mounting or pole-mounting, and transportable application: by handle and carrier. To ensure the best possible performance even in outdoor environments, prolonged exposure to the sun and bad weather, the boards are also UV resistant certified in compliance with EN62208.

| | | | |
|-------------------------|---------------|---------------------------|------------------|
| Colour | Grey RAL 7035 | IP degree | IP55 |
| No. of modules EN 50022 | 12 | Installation type | Surface-mounting |
| Dispersible power (W) | 24 | Accordance with Standards | EN 62208 |
| Glow Wire Test | 650 °C | Mechanical resistance | IK08 |
| Operating temperature | -25 +40 °C | Thermo-pressure with ball | 70 °C |
| Insulation class | II | Accessories supplied | 70 °C |
| Version | Empty | | |

BEHAVIOUR WITH CHEMICAL AND ATMOSPHERIC AGENTS

| Saline solution | Acids | | Bases | | Solvents | | | | Mineral oil | UV rays |
|-----------------|--------------------|-----------|--------------|-----------|--------------------|---------------|---------------|--------------------|--------------------|--------------------|
| | Concentrated | Diluted | Concentrated | Diluted | Hexane | Benzol | Acetone | Alcohol | | |
| Resistant | Limited resistance | Resistant | Resistant | Resistant | Limited resistance | Not resistant | Not resistant | Limited resistance | Limited resistance | Limited resistance |

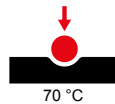
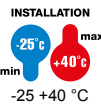
DIMENSIONAL



TECHNICAL SYMBOLOGY

IK

IK08



IP55

650 °C

STANDARDS/APPROVALS

