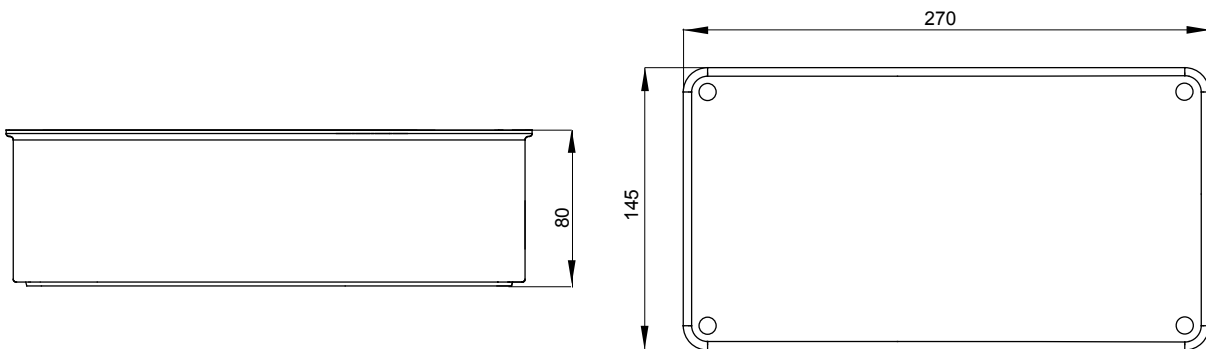


IP degree	IP67	Mechanical resistance	IK08
Houseable interloc. socket	1	Houseable IB socket-outlets	63 A
Top entries	2xØ 29/37	Bottom entries	1xØ 37/47
Glow Wire Test	650 °C	For socket-outlets	Vertical fixed 63A SBF
Electrocod	2221		

DIMENSIONAL



TECHNICAL SYMBOLOGY

IP

IP67

GWT

650 °C

IK08

STANDARDS/APPROVALS

