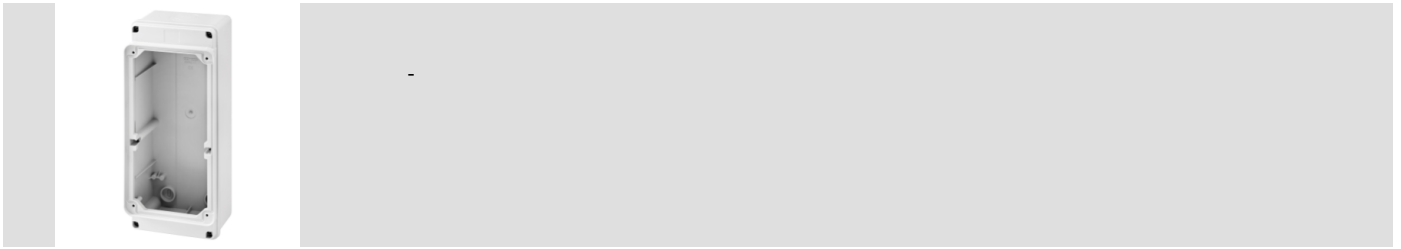


Product Data Sheet

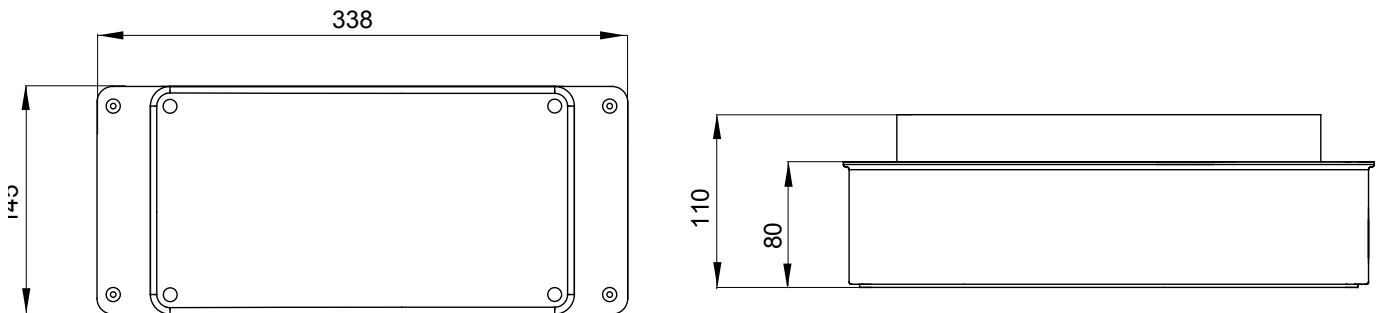
GW66680N

IB Range



IP degree	IP67	Mechanical resistance	IK08
Houseable interloc. socket	1	Houseable IB socket-outlets	63A
Top entries	2xØ 29/37	Bottom entries	1xØ 37/47
Glow Wire Test	650 °C	For socket-outlets	Vertical fixed 63A CBF
Electrocod	2222		

DIMENSIONAL



TECHNICAL SYMBOLOGY

IP

IP67

IK

IK08

GWT

650 °C

STANDARDS/APPROVALS

