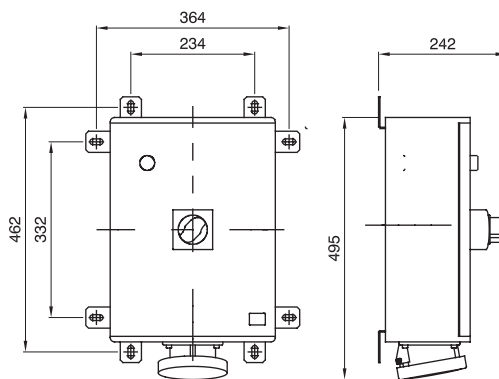




Range of industrial sockets-outlets with rated current equal to 125A in compliance with IEC 60309, with electrical interlock and with MCCB or MCCB equipped with residual current device. The casing of the sockets is made in high performance polyester reinforced with fibre-glass, resistant to UV rays according to EN 62208, impact and abnormal heat and fire. The robustness of the products and their resistance allow the installation in heavy duty environments and with critical atmospheric.

Type	Vertical	Thermo-pressure with ball	200 °C
Impact resistance at -20 °C	20 J	IP degree	IP66
No. of poles	3P+N+E	Mechanical resistance	IK10
Frequency	50/60 Hz	Terminal tightening capacity	2,5-50 mm ² flexible cables - 2,5-70 mm ² rigid cables
Operating temperature	-25 +40 °C	Protection	MCB
Electrocod	2221	Glow wire test	850 °C (Socket) - 960 °C (Case)
Colour	Red	Circuit breaker	125A 25 kA C characteristic
Rated current (A)	125	Reference h	6
Rated voltage	380-415 V	Type of use	Heavy duty

DIMENSIONAL

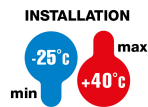


TECHNICAL SYMBOLOGY



IP
IP66

IK
IK10



GWT

850 °C (Socket) -
960 °C (Case)

STANDARDS/APPROVALS

