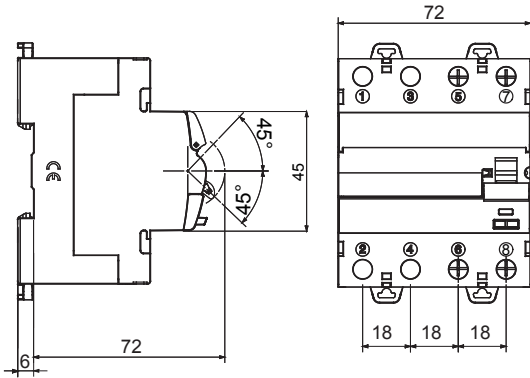




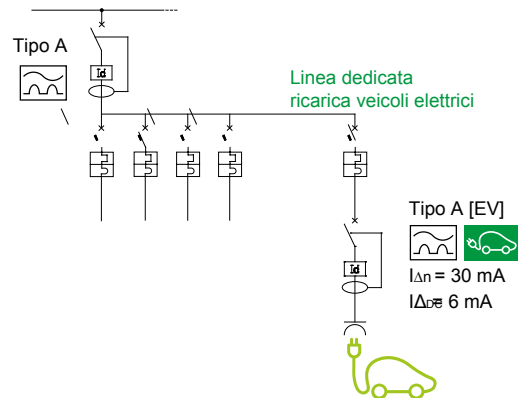
|                                  |                                  |
|----------------------------------|----------------------------------|
| Description                      | RESIDUAL CURRENT CIRCUIT BREAKER |
| Code                             | IDP                              |
| No. of poles                     | 2P                               |
| No. modules                      | 4                                |
| Rated current                    | 40 A                             |
| Rated residual operating current | 30 mA                            |
| Direct current residual current  | 6 mA                             |
| Type                             | Type A[EV] (Electric Vehicle)    |
| Application                      | Electrical vehicle charger       |

|   |   |                           |  |
|---|---|---------------------------|--|
| Rated voltage (EN/IEC 61008-1, 61008-2-1) | 230/240 V                                     | Standard                  | IEC 62955 (RDC-PD)<br>IEC/EN 61008-1, IEC/EN 61008-2-1(RCCB) |
| Rated frequency (Hz)                      | 50/60 Hz                                      | Insulation voltage (Ui)   | 500 V  |
| Rated impulse withstand voltage (Uimp)    | 4 kV  | Overvoltage category      | III  |
| Level of immunity (8/20 μs)               | 3000 A  | Section rigid cable       | <=1x35 - <=2x16 - <=1x16+2x10 mm <sup>2</sup>                |
| Section flexible cable                    | <=1x35 - <=2x16 - <=1x16+2x10 mm <sup>2</sup> | Rated tightening torque   | 3 Nm   |
| Double connection                         | YES (up stream and down stream)               | Operating temperature     | -25 +60 °C   |
| Stocking temperature                      | -40°C ÷ +70°C                                 | Electrical endurance      | ≥ 10.000   |
| Mechanical endurance                      | ≥ 20000                                       | Auxiliaries compatibility | Yes  |
| ReStart compatibility                     | Yes   | Assembly position         | Any  |

### DIMENSIONAL



### WIRING DIAGRAM



### STANDARDS/APPROVALS

