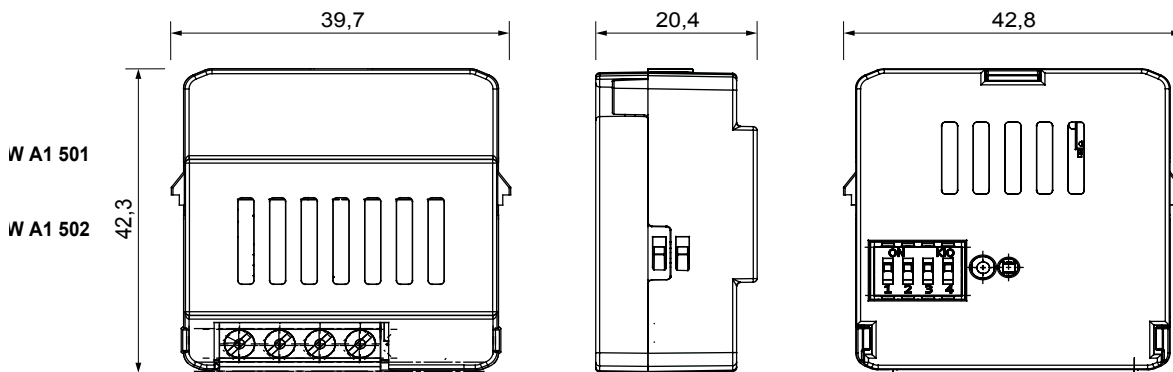




Wirelessly connected device with Zigbee protocol from the ChoruSmart system. It can be used with Home Gateway for "CONNECTED SMART HOME" solutions and with Smart Gateway for "HOME AND BUILDING PRO" solutions. Ideal for residential and small commercial offices, new builds and renovations. Zigbee technology is a secure and reliable technology in which data is encrypted and every node within the network ensures reachability across all devices (mesh network). This device can also be used without Home Gateway and Smart Gateway (manual configuration with dip-switch or via IoT Configurator), in which case supervision via the app is not possible.

Category	Contacts interface	Communication protocol	Zigbee (IEEE 802.15.4)
Supply voltage	Battery powered	Power supply batteries	CR2032 replaceable
Output power	8 dBm	No. input channels	2
Input voltage	Potential-free	Max cable length	15 m
Standard	2014/53/EU, EN 60669-2-1, EN 60669-1, ETSI EN 300-328	IP degree	IP20
Working temperature	-5 ÷ +45 °C	Stocking temperature	-25 ÷ +70 °C
Relative humidity (non-condensative)	Max 93%	Dimensions LxHxD (mm)	42x40x20
Electrocod	051A		

DIMENSIONAL



TECHNICAL SYMBOLOGY

IP

IP20

STANDARDS/APPROVALS

