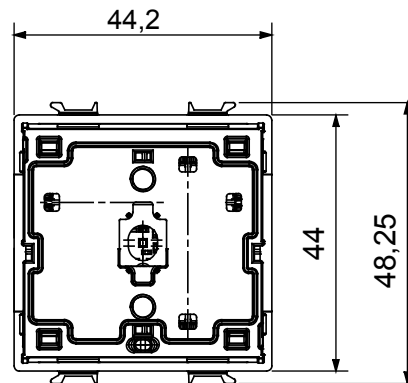
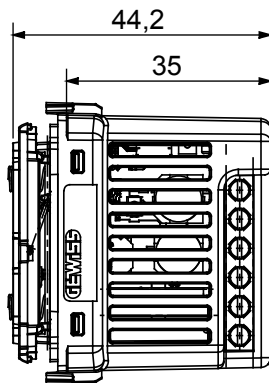


Wireless connected device with Zigbee protocol from the ChoruSmart system that can be with Home Gateway for "CONNECTED SMART HOME" solutions, for residential and small offices, both for new builds and renovations. Zigbee technology is a secure and reliable technology in which data is encrypted and every node in the network ensures reachability across all devices (mesh network).

Output contacts	1 NO / NC 2 A (AC1) 240 V ac	Power supply	100 ± 240 V ac - 50/60 Hz
No. of channels	0	No. modules	2
No. output channels	1	Radio connections	Zigbee (IEEE 802.15.4)
Standard	2014/53/EU, 2011/65/EU + 2015/863, EN 60669-2-1, EN 60669-1, EN 301 489-1, EN 301 489-17, EN 300 328, EN IEC 63000	Working temperature	-5 ± +45 °C
Relative humidity (non-condensative)	Max 93%	Power output Zigbee	10 dBm
Dispersible max power (W)	2,6	Wiring terminals	With screw
Terminal tightening capacity stranded cables (mm ²)	Max. 1,5	Terminal tightening capacity solid cables (mm ²)	Max. 1,5
Category	Axial 2-way switch connected	No. input channels	2 (for local command replication or sending additional Zigbee commands)
Input voltage	Mains supply voltage	IP degree	IP20 (with button key)
240 V ac Incandescent-halogen lamps	4-500 W	240 V ac LED lamps	4-100 W
Loads piloted from electronic transf. 240 V ac	4-250 VA	LED colour	Blue
Local control	Via front push button (to complete with button key)	Power supply of EGO SMART plate	Yes
Zigbee control extension if installed in an EGO SMART plate (if Zigbee command)	Yes	Functions	Timed load control, indicative measurement of active power and consumed energy

DIMENSIONAL



TECHNICAL SYMBOLOGY

IP

IP20 (with button key)

STANDARDS/APPROVALS

