



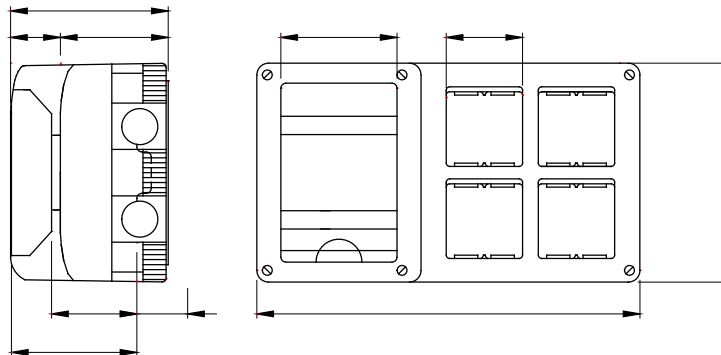
A complete, versatile system of modular containers, perfectly integrable in the SYSTEM domestic range and able to meet the high protection installation requirements of the residential, commercial and industrial sectors. The 27 COMBI range is available both in the IP40 version and in watertight versions with IP55, IP65 and IP66 degree of protection, recommended for all outdoor applications which are subjected to extreme atmospheric conditions.

Description	8 gang + 4 DIN modules	Colour	Grey RAL 7035
Door type	Rigid	Door colour	Smoked Transparent
No. knockout holes Ø23	12 on sides / 2 on the bottom	Type of knockout holes	Removable with tool
IP degree	IP40	Insulation class	II
Mechanical resistance	IK07	Configuration	Module 2 x 4
Compartment pre-arrangement	2	Type of enclosure	GP
No. SYSTEM modules	8	No. DIN modules	4
Characteristics	Halogen free	Lid screws	Stainless steel
Torque screws tightening	0.8 Newton/meter	Outer dim. LxHxD (mm)	231x132x95
Dispersible power (W)	15	Rated voltage	400V ac
Rated current (In)	32 A	Insulation voltage (Ui)	750 V
Glow Wire Test	650 °C	Thermo-pressure with ball	70 °C
Standard	EN 60670-1 - EN 60670-24	Installation temperature	-25 +60 °C
Electrocod	0212		

#### BEHAVIOUR WITH CHEMICAL AND ATMOSPHERIC AGENTS

Saline solution	Acids		Bases		Solvents				Mineral oil	UV rays
	Concentrated	Diluted	Concentrated	Diluted	Hexane	Benzol	Acetone	Alcohol		
Resistant	Limited resistance	Resistant	Resistant	Resistant	Limited resistance	Not resistant	Not resistant	Not resistant	Limited resistance	Resistant

#### DIMENSIONAL



#### TECHNICAL SYMBOLOGY



IP  
IP40

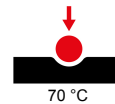


II



Halogen free

GWT  
650 °C



70 °C

IK07

#### STANDARDS/APPROVALS

