



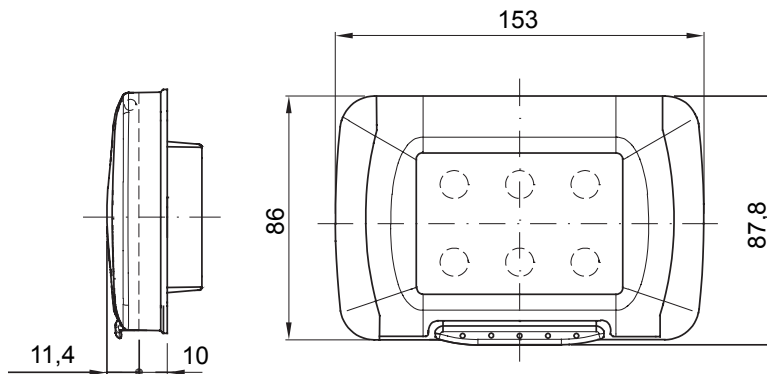
Watertight plates IP55 System range for rectangular (3 and 4 modules) flush mounting boxes. Watertight plates self-supporting for the installation of System range devices. Ergonomic membrane, opening facilitated by a comfortable handle. IP55 degree guaranteed with closed lid and watertight plate mounted on smooth and waterproof walls, without grooves.

| | | | |
|------------------------|-----------------------|---------------------------|----------------------------|
| Category | System series | Type | Italian standard plates |
| Group | Watertight plates | Description | 4 modules |
| Colour Plate | Grey RAL 7035 | Finishing | Glossy |
| Material | Technopolymer | IP degree | IP55 (with closed lid) |
| Lid | With membrane | Membrane color | Transparent |
| For flush mounting box | Rectangular 4 modules | Fixing | 2 screws (included) |
| Type of screw | 6/32 x 18mm | Screw material | Galvanised steel |
| Included support | Self-supporting | Gasket | Vulcanized expanded rubber |
| Glow Wire Test | 650 °C | Thermo-pressure with ball | 70 °C |
| Standard | EN 60669-1 | Operating temperature | -25 +60 °C |
| UV resistance | Yes (ISO 4892-2) | Maximum opening angle lid | 100° |
| Electrocod | 0110 | | |

BEHAVIOUR WITH CHEMICAL AND ATMOSPHERIC AGENTS

| Saline solution | Acids | | Bases | | Solvents | | | | Mineral oil | UV rays |
|-----------------|--------------------|-----------|--------------|-----------|--------------------|---------------|---------------|---------------|--------------------|-----------|
| | Concentrated | Diluted | Concentrated | Diluted | Hexane | Benzol | Acetone | Alcohol | | |
| Resistant | Limited resistance | Resistant | Resistant | Resistant | Limited resistance | Not resistant | Not resistant | Not resistant | Limited resistance | Resistant |

DIMENSIONAL



TECHNICAL SYMBOLOGY

IP

IP55 (with closed lid)

GWT

650 °C



70 °C



-25 +60 °C

STANDARDS/APPROVALS

