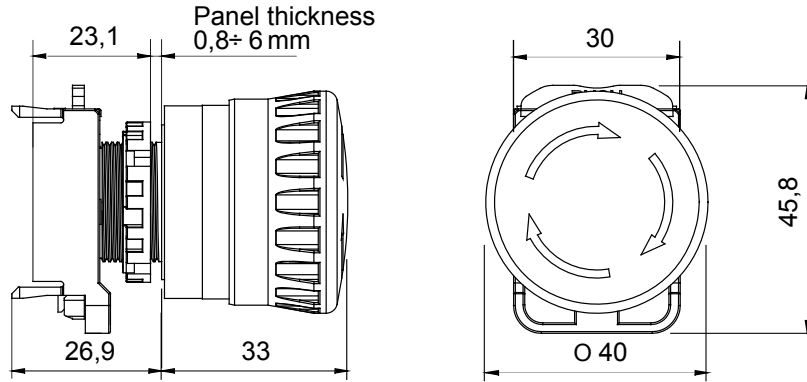




The 74 PS range is a system of push-buttons, selectors and indicators (diameter 22 mm) with a degree of protection of IP66 for creating a real interface between man and machine, whilst at the same time controlling the operating status of the drives and equipment to ensure the highest safety standards. The range includes six types of empty enclosure with between 1 and 12 gangs, and enclosures that come fitted with push-buttons and contacts.

Versiyon	Panel	Fonksiyonlar	Tutmalı
Light	Hayır	Malzeme	Yalıtım
Tip	Acil durum için	Nominal akım (A)	10
Devre kesici	Mushroom-head push button	IP derecesi	IP66
Direnç dayanıklı	100 m/s2	Maximum shock resistance	1000 m/s2
Ortam sıcaklığı	-25 +55 °C	Current in AC15 (230 V)	3 A
Current in DC13 (230 V)	0,55 A	Panel thickness	0,8 + 6 mm

DIMENSIONAL



TECHNICAL SYMBOLOGY

IP

IK

IP66

100 m/s2

STANDARDS/APPROVALS

