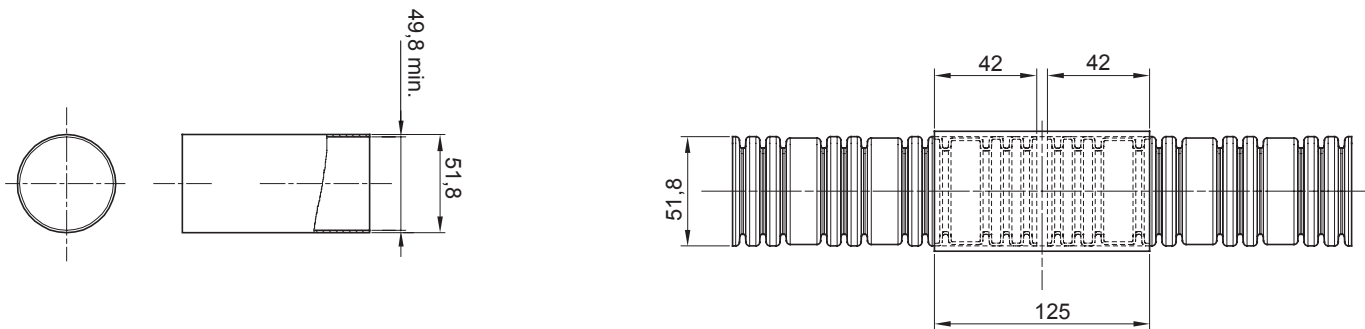




Culoare	Transparent	Material	PVC
Conducte Ø (mm)	50	Electrocod	210

### DIMENSIONAL



### STANDARDS/APPROVALS

