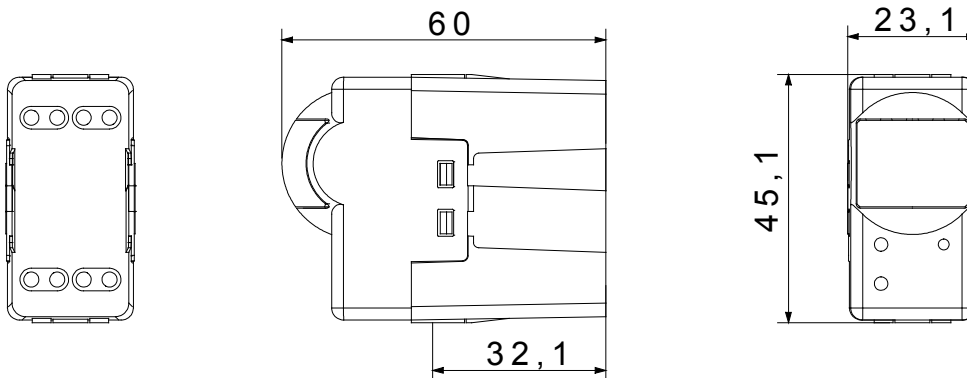




The System modular devices allow the creation of infinite combinations of devices and plates, through a complete range that covers all design, functional and installation needs. Colours and finishes: satin black, elegant and classy. The range includes control units, socket-outlets, breakers, indicators, connectors and devices for the control, safety and comfort of your home.

Contacte ieşire	1NO 3A(AC1) 250V AC	Culoare	Negru
Tensiune dealimentare	230V AC - 50/60 Hz	Tehnologie	Infraroşu
Standard	EN 60669-1, EN 60669-2-1	Rezistenţa la tensiunea de test	2000 V la 50 Hz timp de 1 minut
Rezistenţa izolaţiei	>5 MOhm	Borne de cablare	Conţinut
Comutator de funcţionare prelungit (nr. de moduri de funcţionare)	1NO 3A(AC1) 250V c.a. $\cos\phi=0,6$	Termo-presiune cu bilă	125 °C
Test de încercare cu fir incandescent	850 °C	Prinderea bornei la tracţiunea cablului	> 50 N
Capacitate de strângere borne cabluri torsadate (mm <sup>2</sup> )	min. 0,75 - max. 2x4	Capacitate de strângere a bornelor cabluri solide (mm <sup>2</sup> )	min. 0,5 - max. 2x2,5
Nr. Module DE SISTEM	1	Material	Tehnopolimer
Electrocod	0513		

### DIMENSIONAL



### TECHNICAL SYMBOLOGY



### STANDARDS/APPROVALS

