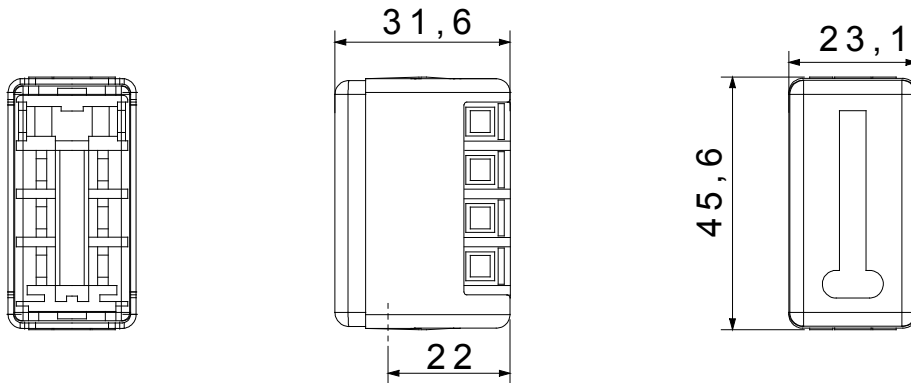




The System modular devices allow the creation of infinite combinations of devices and plates, through a complete range that covers all design, functional and installation needs. Colours and finishes: satin black, elegant and classy. The range includes control units, socket-outlets, breakers, indicators, connectors and devices for the control, safety and comfort of your home.

Categorie	Prize de date și audio/video	Descriere	Franceză 8 contacte
Culoare	Negru	Standard	Grade franceze
Tip cabluri	-	Conexiune	Terminale cu înșurubare
Nr. Module DE SISTEM	1	Material	Tehnopolimer
Electrocod	3722		

DIMENSIONAL



STANDARDS/APPROVALS

