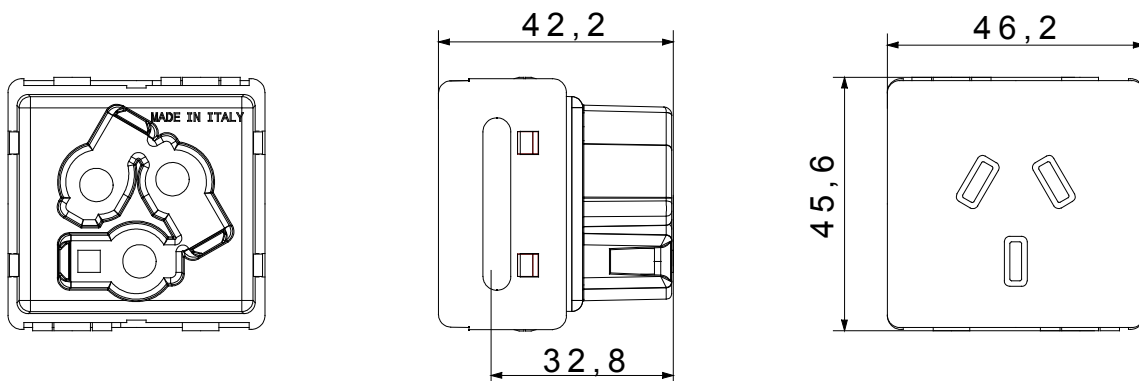




The System modular devices make it possible to create infinite combination between devices and plates, thanks to a complete range that is able to satisfy all design, functional and installation requirements. Colour and finiture: glossy white, bright and versatile
Ideal for flush-mounting solutions (for rectangular or square boxes), surface-mounting solutions, and for special applications. The range includes commands, socket-outlets, protection, indicators, connectors and devices for the control, safety and comfort of your home.

Descriere	2P+E - 15A	Culoare	Alb
Tensiune	250 V	Groapă de pământ	-
Standard	Australia	Caracteristici	-
Pentru știfturi de conectare	Plat	Standard	IEC 60884-1; AS/NZS 3112
Rezistența la tensiunea de test	2000 V la 50 Hz timp de 1 minut	Comutator de funcționare prelungit (nr. de modificări)	10000 cicluri la 250 V ac cosφ=0,8
Termo-presiune cu bilă	125 °C	Test de încercare cu fir incandescent	850 °C
Prinderea bornei la tracțiunea cablului	> 50 N	Capacitate de strângere borne cabluri torsadate (mm ²)	min. 0,75 - max. 2x4
Capacitate de strângere a bornelor cabluri solide (mm ²)	min. 0,5 - max. 2x2,5	Nr. Module DE SISTEM	2
Material	Tehnopolimer	Electrocod	0131

DIMENSIONAL



TECHNICAL SYMBOLOGY



STANDARDS/APPROVALS

