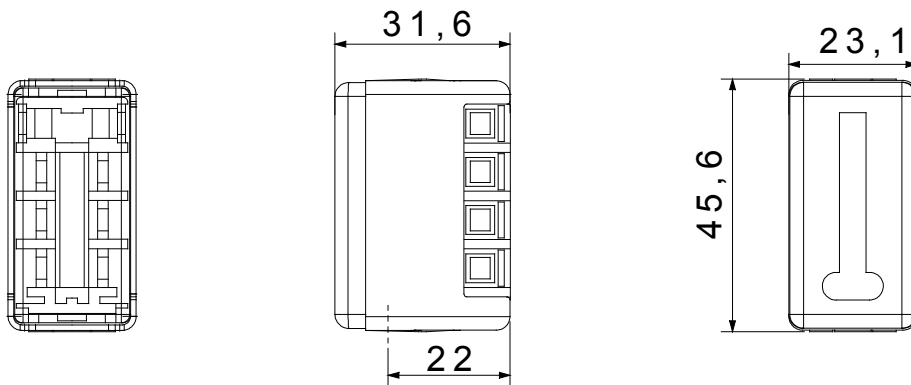




The System modular devices make it possible to create infinite combination between devices and plates, thanks to a complete range that is able to satisfy all design, functional and installation requirements. Colour and finiture: glossy white, bright and versatile
The range includes commands, socket- outlets, protection, indicators, connectors and devices for the control, safety and comfort of your home.

Categorie	Prize de date și audio/video	Descriere	Franceză 8 contacte
Culoare	Alb	Standard	Grade franceze
Tip cabluri	-	Conexiune	Terminale cu înșurubare
Nr. Module DE SISTEM	1	Material	Tehnopolimer
Electrocod	3722		

DIMENSIONAL



STANDARDS/APPROVALS

