



Opis Interruttore automatico scatolato

Kod MSX 160

Liczba biegunów 3P

Prąd roboczy 160 A

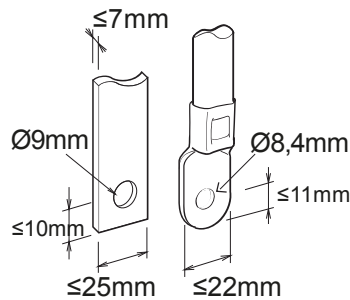
zwolnienie Electromechanic

ELECTRICAL CHARACTERISTICS

MECHANICAL CHARACTERISTICS

| | | | |
|---|----------------------|--------------------------------------|----------------------------|
| Norma | IEC/EN 60947-2 | Wykonanie | Fixed - Plug-in |
| Zastosowanie kategoria | A | DIN rail mounting | Yes, by means of accessory |
| Prąd częstotliwości (Hz) | 50 / 60 | Can be equipped with motor operator | Yes |
| Rated operating voltage (Ue) | 690 Vac - 250 Vdc | Compatible interlock | Lever – Cable |
| Znamionowe wytrzymywane napięcie impulsowe (Uimp) | 8 kV | Terminals supplied | Przód FC |
| Przebiecie kategoria | IV | Montaż położenie | Wszelkie |
| Napięcia izolacji (Ui) | 800 V | Upline/downline power supply | Yes |
| Thermal regulation | 0,63 - 0,8 - 1 x In | Electrical life (415Vac) | 20.000 cycles |
| Magnetic regulation | 6 - 8 - 10 - 13 x In | Mechanical life | 30.000 cycles |
| Neutral protection | - | Temperatura robocza | -5°C +65°C |
| Total power loss | 36.09 W | Temperatura przechowywania | -20° +65° |
| Rated short-circuit current making capacity (Icm) | - | Masa (kg) | 1.5 |
| Rated short-time withstand current for 0,3s (Icw) | - | Szerokość | 105 mm |
| I _{dn} regulation | - | Wysokość | 165 mm |
| DT regulation | - | Głębokość | 68 mm |
| SERVICE BREAKING CAPACITY (ICU) | | RATED BREAKING CAPACITY (ICS) | |
| 220/240Vac | 85 kA | 220/240Vac | 85 kA |
| 400/415Vac | 65 kA | 400/415Vac | 36 kA |
| 440Vac | 50 kA | 440Vac | 25 kA |
| 525Vac | 25 kA | 525Vac | 25 kA |
| 690Vac | 7,5 kA | 690Vac | 7,5 kA |
| 250Vdc | 40 kA | 250Vdc | 40 kA |

DIMENSIONAL





Product Data Sheet

GWD9157

MSX

STANDARDS/APPROVALS

