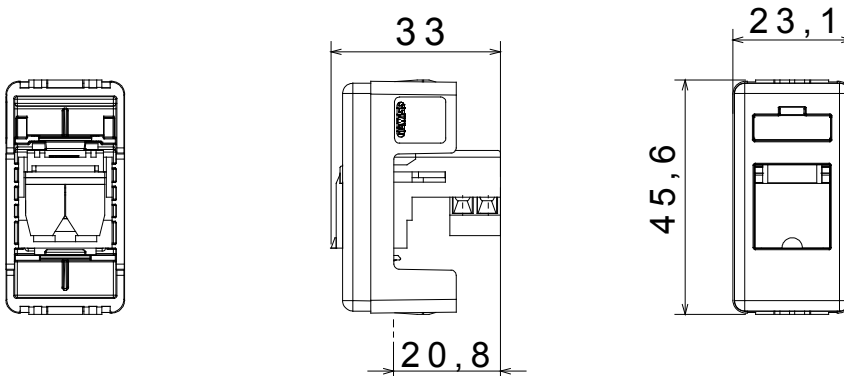




The System modular devices allow the creation of infinite combinations of devices and plates, through a complete range that covers all design, functional and installation needs. Colours and finishes: satin black, elegant and classy. The range includes control units, socket-outlets, breakers, indicators, connectors and devices for the control, safety and comfort of your home.

kategoria	Gniazda danych i audio/wideo	Opis	RJ11
Kolor	Czarny	Norma	-
Kable lampy	Skrętka dwużyłowa	przylącza	Zaciski śrubowe
Liczba SYSTEM Moduły	1	Materiał	Technopolimerowy
Electrocod	3722		

DIMENSIONAL



STANDARDS/APPROVALS

