

Product Data Sheet

GW20272

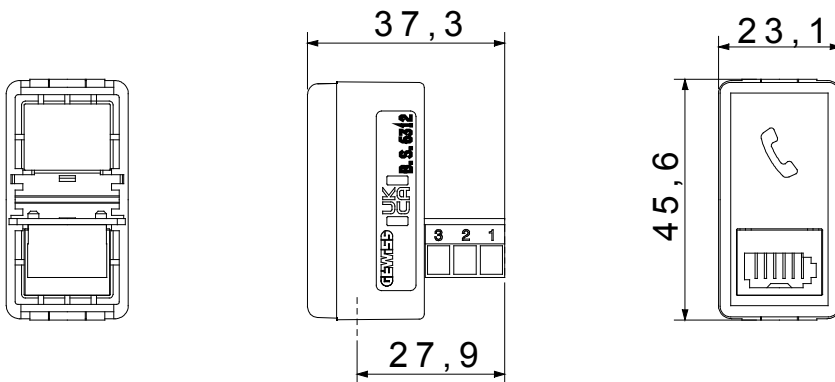
Seria SYSTEM WHITE



The System modular devices make it possible to create infinite combination between devices and plates, thanks to a complete range that is able to satisfy all design, functional and installation requirements. Colour and finiture: glossy white, bright and versatile
The range includes commands, socket- outlets, protection, indicators, connectors and devices for the control, safety and comfort of your home.

kategoria	Gniazdo elektryczne telefoniczne	Opis	Brytyjski 6-stykowy
Kolor	Biały	Norma	Brytyjski
Kable lampy	-	przylącza	Zaciski śrubowe
Liczba SYSTEM Moduly	1	Materiał	Technopolimerowy
Electrocod	3721		

DIMENSIONAL



STANDARDS/APPROVALS

