

# Product Data Sheet

## GW20073

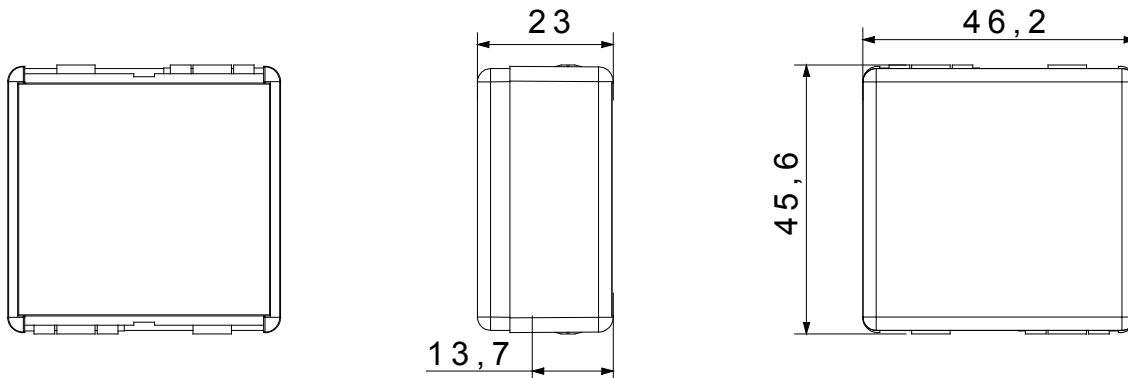
Seria SYSTEM WHITE



The System modular devices make it possible to create infinite combination between devices and plates, thanks to a complete range that is able to satisfy all design, functional and installation requirements. Colour and finiture: glossy white, bright and versatile  
The range includes commands, socket- outlets, protection, indicators, connectors and devices for the control, safety and comfort of your home.

kategoria	Moduł zaślepiający	Kolor	Biały
Opis	2 miejsca	Norma	(EN 60669-1)
Twardość kulkowa	125 °C	Próba rozżarzoną drutem	850 °C
Liczba SYSTEM Moduły	2	Materiał	Technopolimerowy
Electrocod	0100		

### DIMENSIONAL



### TECHNICAL SYMBOLOGY



### STANDARDS/APPROVALS

