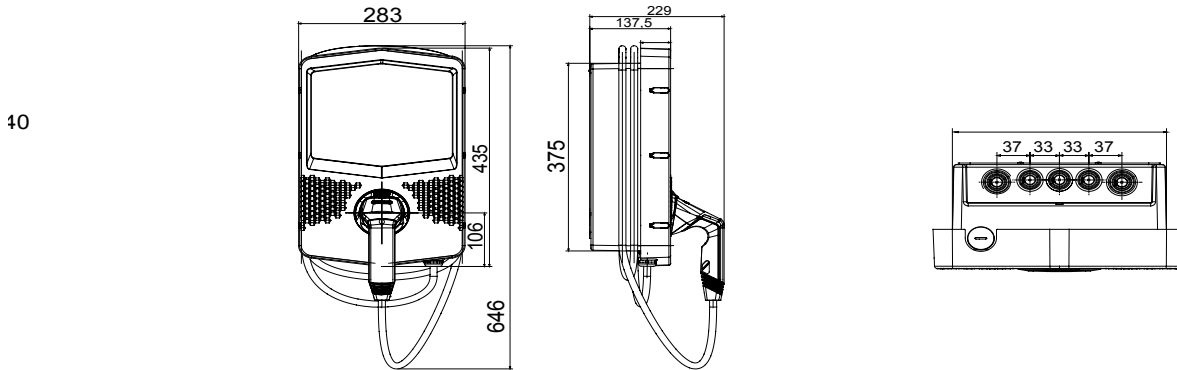




I-CON EVO wallboxes are JOINON solutions designed to integrate into private and semi-public scenarios in accordance with the international standard IEC 61851-1 ed. 3. They are distinguished by both an elegant and compact design and special "one-hand charge" functionality. At the same time, the presence of a vandal-proof socket and IP55 degree combined with IK11-certified mechanical strength make them safe and reliable solutions. In addition, I-CON EVO wallboxes feature full connectivity to support the related JOINON EVO App for full and easy control of charging, intelligent management of loads and additional energy produced by any photovoltaic panels (also in Master/Slave mode), and several installation options: wall-mounted, flush-mounted, or floor-mounted.

Charging way	3 מוד	Charging sockets	גו2
Connector type	2TYPE חיבור נייד	Cable length (if available)	5 מ'
Electrical and Mechanical Characteristics			
פסי צבירה	5x16 מ"ר	Nominal tension	400 V
Total Maximum Current	32 A	'הספק מקס	22 kW
User protection	DC Leak 6mA	מד	-
התקנה	Wall / Flush / Floor mounting	חומר	POST-INDUSTRIAL recycled material
IP	IP55	זעזוע התנגדות	IK11
דרגה			
טמפרטורת עבודה	25°C עד +55°C	-	-
Functional characteristics			
קישוריות	Wifi+Ethernet	תקשורת	OCPP 1.6J
Load Management	DLM/PV BOOST	הפעלת טעינה	APP
ממשק אנושי	לד	Master/Slave	כן
"Over-the-air" updates	כן	Programmable Remote Contact	כן
Local directives	-	-	-
Accessories available			
DLM CT KIT for load management	תלת-פאזי GWJ8038 / מנעל (GWJ8038+GWD6821+C.T. (GWD96441+GWD96447) 100A	Single-sided floor support	GWJ8102
Flush mounting backbox	GWJ8101	Double-sided floor support	GWJ8103
Protective cover	-	RFID Card	-
4G modem kits	GWJ8111		

DIMENSIONAL



TECHNICAL SYMBOLOGY



STANDARDS/APPROVALS

