

Product Data Sheet

GWJ3502G

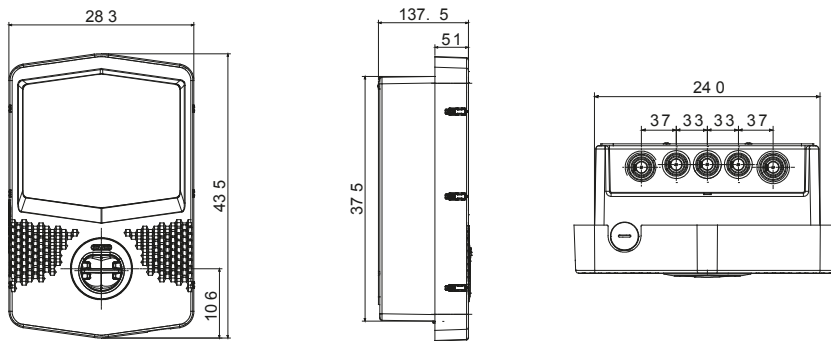
JOINON



I-CON EVO wallboxes are JOINON solutions designed to integrate into private and semi-public scenarios in accordance with the international standard IEC 61851-1 ed. 3. They are distinguished by both an elegant and compact design and special "one-hand charge" functionality. At the same time, the presence of a vandal-proof socket and IP55 degree combined with IK11-certified mechanical strength make them safe and reliable solutions. In addition, I-CON EVO wallboxes feature full connectivity to support the related JOINON EVO App for full and easy control of charging, intelligent management of loads and additional energy produced by any photovoltaic panels (also in Master/Slave mode), and several installation options: wall-mounted, flush-mounted, or floor-mounted.

Charging way	מוד3	Charging sockets	גיו2
Connector type	Fixed socket (IPxxD)	Cable length (if available)	-
Electrical and Mechanical Characteristics	-	-	-
פסי צבירה	3 x 16mm ²	Nominal tension	230 V
Total Maximum Current	32 A	הספק מקס	7,4 kW
User protection	DC Leak 6mA	מד	-
התקנה	Wall / Flush / Floor mounting	חומר	POST-INDUSTRIAL recycled material
IP	IP55	עזזוע התנגדות	IK11
דרגה	-	-	-
טמפרטורת עבודה	עד +55°C עד -25°C	-	-
Functional characteristics	-	-	-
קישוריות	Wifi+Ethernet	תקשורת	OCPP 1.6J
Load Management	DLM/PV BOOST	הפעלת טעינה	APP
ממשק אנושי	לד	Master/Slave	כן
"Over-the-air" updates	כן	Programmable Remote Contact	כן
Local directives	-	-	-
Accessories available	-	-	-
DLM CT KIT for load management	חיד-פאדי / GWJ8037 / מועל (GWJ8037+GWJ8037) / GWD6809+GWD6821+C.T. (GWD96441+GWD96447) 100A	Single-sided floor support	GWJ8102
Flush mounting backbox	GWJ8101	Double-sided floor support	GWJ8103
Protective cover	-	RFID Card	-
4G modem kits	GWJ8111	-	-

DIMENSIONAL



TECHNICAL SYMBOLOGY

IP

IP55

IK

IK11

STANDARDS/APPROVALS



GEWISS S.p.A. Via Domenico Bosatelli 1
24069 Cenate Sotto - Bergamo - Italy
tel. +39 035 94 61 11 fax +39 035 94 69 09

www.gewiss.com
sat@gewiss.com
Last update 19/11/2024

Data, measures, designs and pictures are shown only as informative purposes, and could be changed without previous notice