



Wall-mounting thermostat to control heating/cooling and humidification/dehumidification systems on the BUS and manage the temperature in manual mode or on 3 levels (comfort, pre-comfort, economy). Control algorithms for 2- or 4-way systems: two points (ON/OFF 0%/100%), proportional-integral (PWM or continuous adjustment 0%-100%), fan coil (max. 3 speeds or with continuous adjustment 0%-100%). Includes 1 input for external NTC temperature sensor (for room temperature measurement compensation or for underfloor heating protection).

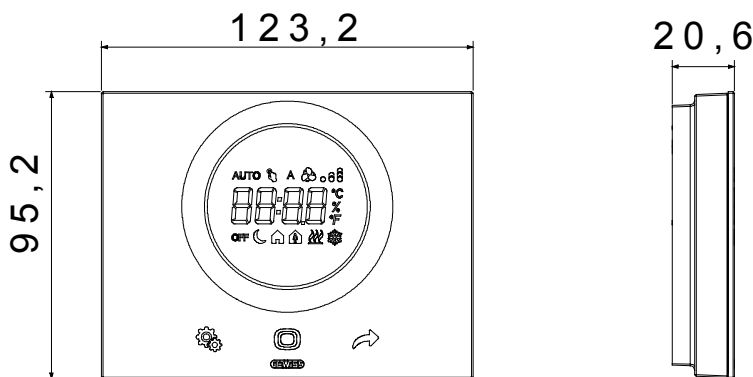
Equipped with a user interface with touch commands (capacitive) on technopolymer plate and backlit display. The thermostat has built-in proximity, temperature and humidity sensors. The device supports KNX Secure. To be configured with ETS software.

The thermostat can be combined with KNX flush-mounting timed thermostats or KNX control panels, for local temperature adjustment: in this case, the thermostat acts as a slave by executing the temperature sent by the master. Available a "hotel" operating mode with simplified functionalities and user interface for hotel applications.

Equipped with front plate and with coupling terminal for connection to bus. Wall fixing with wall plugs or screw fixing on rectangular 3 modules boxes (centre distance 83.5 mm). Plate material: technopolymer.

קטגוריה	Thermo ICE KNX wall mounting thermostat	תקשורת	KNX Secure
צבע	לבן	Material	Front plate in technopolymer
התקנה	להתקנה על קיר	ספק כוח	110-230V ac - 50/60Hz
Current absorbed by power supply	< 3 W (in stand-by < 1 W)	ממשקים	KNX TP1
Current absorbed by KNX bus (mA)	10	מדוד מידות	Temperature, humidity, one additional input for external NTC temperature sensor
מס' כניסה ערוצים	1 for external NTC sensor (type: NTC 10K, es. GW 10 800)	כניסה מתח	-
מהדקי חיווט	עם בורג	יכולת הידוק מהדקים (ממ"ר) כבלים תקועים	Max 1,5 mm ²
יכולת הידוק מהדקים (ממ"ר) כבלים קשיחים	Max 1,5 mm ²	פועל טמפרטורה	-5 ÷ +45 °C
ללא עיבוי/לחות יחסית	93% מקס	טמפרטורת אחסון	-25 ÷ +70 °C
Connection to the KNX bus	KNX bus terminal	x גובה מידות אורך (מ"מ) עומק	123,2x95,2x20,6
IP דרגה	IP20	סטנדרט	Low Voltage Directive 2014/35/EU (LVD) Electromagnetic Compatibility Directive 2014/30/EU (EMC) Directive RoHS 2011/65/EU Directive ERP 2009/125/EU EN 60730-1, EN 60730-2-9

DIMENSIONAL



TECHNICAL SYMBOLOGY

IP20

STANDARDS/APPROVALS

