



SMART [PRO]e 1M is a medium-power outdoor and indoor LED floodlight, ideal for lighting small to medium-sized areas and sports facilities. It can be installed on the wall, ceiling or ground thanks to the galvanised steel bracket which is powder coated in polyester with trivalent passivation and equipped with an adjustable goniometric scale and supplied in kit form. The main body is made in die cast aluminium EN AB 46100, with an integrated passive heat sink, and powder coated polyester frame with trivalent passivation. COB LED technology for high efficacy. Reflector made of metallised PC-HT or anodised and polished aluminium. 4mm thick toughened front glass, silkscreen printed for symmetrical versions or with anti-reflective nanocoating for asymmetrical versions. Anti-ageing silicone gaskets and A2 stainless steel exterior screws. Plastic venting and anti-condensation device. Electrical connection via 5x1mm² H07RN-F cable. Insulation Class 1. Built-in 1-10V dimmable driver. Available with five different types of optics, three types of Correlated Colour Temperature (3000K/4000K/5700K) and two different types of Colour Rendering Index (CRI70, CRI80). Designed to withstand surges up to 6KV (differential mode) and 10KV (common mode), temperature variations from -30°C to +40°C, water and dust penetration up to IP66, and impact up to IK08.

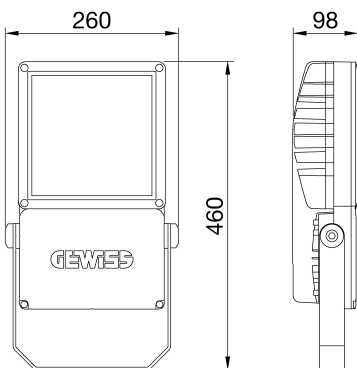
GENERAL INFORMATION

Context	Floodlighting and small- to medium-size sports facilities
Luminaire	LED luminaire with mid lumen power
Application	Indoor / Outdoor
Unique digital code (Datamatrix)	Currently not present
Colour	Graphite grey
Type of light source	LED - Not replaceable
System power	150 W
LED Lifetime	L90B10 (Tq+25°C) = 100000h; L80B10 (Tq+25°C) > 150000h
Weight (kg)	5.7
Warranty	5 years
Stocking temperature	-
Operating temperature	-30 +40 °C
MATERIALS	
Body	Die-cast aluminium
Shield type	Flat tempered glass 4mm
Optic	Metallised PC-HT Reflector
Gasket	Anti-ageing silicone
Locking Hook	-
External screw	Stainless steel
Colour	Polyester powder coated with epoxy base coat
STANDARDS AND APPROVALS	
Classification	-
Device with reduced surface temperature	-
DIN 18032-3 certification	Compliant
IPEA	-
Insulation class	I
IP degree	IP66
Mechanical resistance	IK08

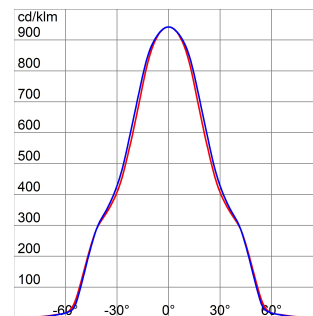
OPTIC AND ILLUMINATING FEATURES

Optic	SM - Symmetrical Medium
Unified Glare Rating	G*6 - ULOR = 0%
Lumen output (lm)	22500
Efficacy (lm/W)	150
Colour temperature	4000 K
Colour Rendering Index	CRI>70
Standard Deviation Colour Matching	SDCM = 3
Photobiological Risk Class	RG1
Standard	EN60598-1; EN60598-2-5; IEC62778; EN13201
ELECTRICAL AND LIGHTING FEATURES	
Supply voltage	220 - 240 V
Rated frequency (Hz)	50 / 60
Driver	Included
Driver failure rate	F10 = 100.000h Tq25°C
Overvoltage protection	DM 6 kV / CM 10 kV
Control System	Stand Alone - 1/10V
INSTALLATION AND MAINTENANCE	
Mounting and installation	High-mast lighting - Wall mounting - Ground mouting
Tilt	Rotation on bracket with integrated goniometer
Wiring	With H07RN-F multi-pole cable
Fixing	Bracket
Light source replaceability	By professional
Controlgear replaceability	-
Driver Box	Built-in
Maximum surface exposed to the wind	0,085 m ²
-	-
-	-

DIMENSIONAL



PHOTOMETRIC DISTRIBUTION



Smart [PRO]e

TECHNICAL SYMBOLOGY



IP
IP66

IK
IK08

STANDARDS/APPROVALS

