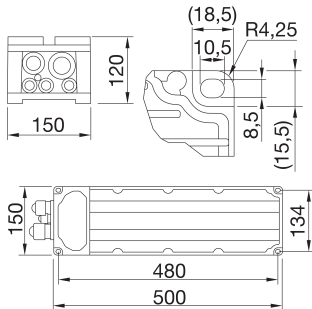


Spatium PRO | 2 is a high-power LED floodlight, with a high-emittance LES (light emitted surface), suitable for lighting professional and semi-professional sporting facilities. The floodlight has a graphite grey finish with trivalent treatment for maximum resistance to oxidation and is equipped with an integrated 'self-cleaning' heat dissipation system. It consists of 2 modules, each with a bleed and anti-condensation valve, protected from accidental impact. The rotation system between the brackets and optic modules is of the truncated-conical aluminium type, with an integrated goniometer in the bracket for easy control of orientation, and screw and grub screw fastening, which guarantees the fastness of each individual module over time. The floodlight is available in the following colour temperatures 4,000K or 5,700K and colour rendering CRI>70, CRI>80 or CRI>90 (TLCI>80). In addition, the range offers 6 types of circular optics, from 8° up to 40°, 1 symmetrical/elliptical optic and 2 asymmetric optics. The T.I.R.Ex. optic system developed by GEWISS with lenses in PMMA HT (high-transparency), gives complete control over the light beam, allowing for great flexibility in any project design, with high qualitative and quantitative performance. The power supply box can be installed on the bracket or remote, and is protected from surges up to 10KV, either in differential or common mode, with a single cable. The range requires a DALI2 or DMX-RDM power supply to permit the greatest flexibility in the creation of lighting scenarios, even of great complexity.

Třída izolace	I	Krytí IP	IP66
Mechanický odpor	IK08	Napětí	220–400 V – 50/60 Hz
Verze	DALI	Popis	Napájecí zdroj Stadion PRO 2 DALI 400 V
Hmotnost (kg)	5.4	Řada	Stadium PRO
Aplikace	Vnitřní / venkovní	Počet modulů	2M
Záruka	5 let	Provozní teplota	-25 +50 °C
Odolnost proti přepětí	DM 10 KV / CM 10 KV	Míra selhání radiče	F10 = 90 000 h Tq25 °C

DIMENSIONAL



PHOTOMETRIC DISTRIBUTION

TECHNICAL SYMBOLOGY



IP
IP66

IK
IK08



STANDARDS/APPROVALS

