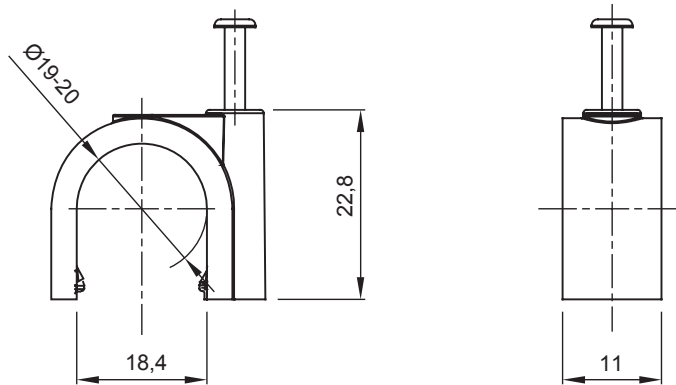




Systems of accessories for electrical installations used for residential, tertiary and industrial applications. The system consists of fasteners for pipes and cables, cable fittings, accessories for rigid pipes (RK Series) and flexible conduit (DF Series). The system include also a wide variety of cable ties (52FS Range) and terminal blocks (44 Range).

| | | | |
|------------------|--|----------------------------|--------------------|
| Colour | Grey RAL 7035 | Material | Shockproof polymer |
| Internal Ø (mm) | 19-20 | Description | Clip |
| Glow Wire Test | 750 °C | For external conduits (mm) | 19-20 |
| Type | With pin | Operating temperature | -5 +60 °C |
| Type of material | Halogen-free in compliance with EN 60754-2 | Electrocod | 21221 |
| Standard | EN 61386-1 (when applicable) | | |

DIMENSIONAL



TECHNICAL SYMBOLOGY



750 °C

STANDARDS/APPROVALS

