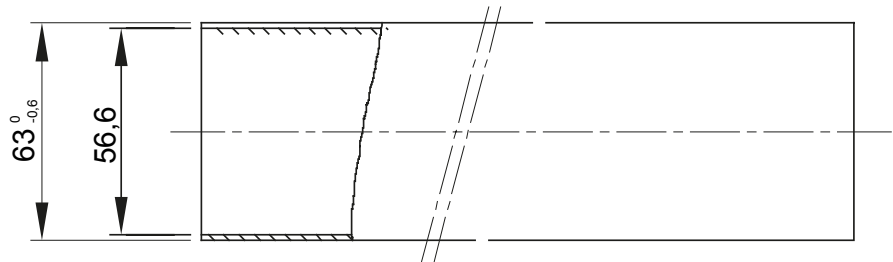
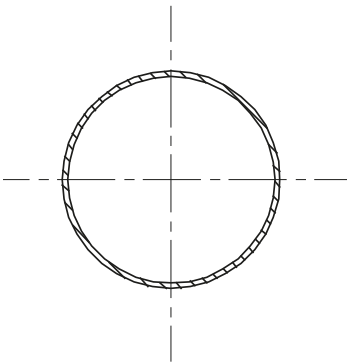




Rigid heavy protected conduit system range RKB made in thermoplastic PVC material, classification 4321. In compliance with IEC 61386-1 (CEI 23/80) e IEC 61386-21 (CEI 23/81). The range includes conduit system available in 7 diameter, from 16 to 63 mm for length 3 metres. Suitable for electrical systems and/or data transmission. Installation type: exposed on walls and ceilings or for applications inside false ceilings and floating floors.

| | | | |
|---|---|---|--|
| Colour | Grey RAL 7035 | Material | PVC |
| Length (m) | 3 | Conduits Ø (mm) | 63 |
| Glow Wire Test | 960 °C | Electrocod | 21220 |
| Resistance to compression | 4 (Heavy - 1250 N) | Resistance to impact | 3 (Medium - 2 J) |
| Resistance to bending | 1 (Rigid) | Electrical characteristics | 2 (With electrical insulating characteristics) |
| Protection against ingress of solid objects without accessories | 0 | Protection against ingress of water objects without accessories | 0 |
| Resistance against corrosion | Not applicable to plastic conduit systems | Fire resistance | 1 (Non-flame propagating) |
| Insulation resistance | 100 MΩ a 500V for 1 minute | Protection against ingress of solid objects with accessories | 4/6 (It depends on the accessories used) |
| Protection against ingress of water with accessories | 0/5/7 (It depends on the accessories used) | Dielectric rigidity | 2000 V a 50 Hz for 15 minutes |
| Standard | EN 61386-1 EN 61386-21 | Family | RKB |
| Classification | 4321 | | |

DIMENSIONAL



TECHNICAL SYMBOLOGY



960 °C

STANDARDS/APPROVALS

