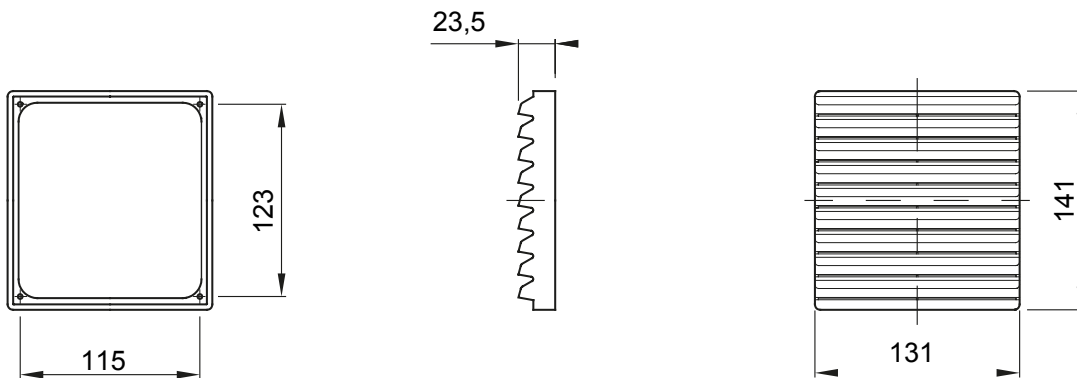




Accessories and complementary items for distribution and automation boards range 46.

IP degree	IP44	Screws centre distance (mm)	123x115
Fixing hole (mm)	125x117	Description	Aeration kit
Series	CVX630K / CVX630M / CVX1600 / 38LAN	Frequency	50/60 Hz
Suitable for	46QP - 46QM - 46QX	Voltage	230V ac
Electrocod	0303		

DIMENSIONAL



TECHNICAL SYMBOLOGY

IP

IP44