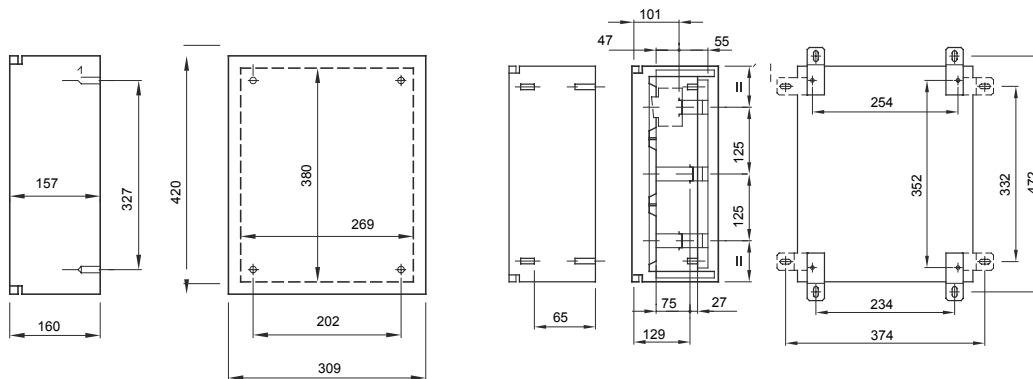




Range of Watertight surface-mounting boards made metallic material. In compliance with IEC 61439-1 (CEI 17/113), IEC 61439-2 (CEI 17/114), IEC 60670-1 (CEI 23/48), IEC 60670-24 (CEI 23/49) e IEC 62208 (CEI 17-87). Available in 7 sizes, transparent and black door versions with IP55 protection degree. Fast&Easy accessories, made in metal, allow the installation of modular devices and moulded-case circuit breakers up to 250A into the boards, reducing assembly times by up to 40%. Indicated for automation and distribution for indoor applications.

| | | | |
|-------------------------|---|---------------------------------------|---|
| Insulation class | Pre-arranged with earth terminal | Colour | Grey RAL 7035 |
| Nominal dim. LxHxD (mm) | 310x425x160 | IP degree | IP55 |
| Material | Sheet metal from 10/10 to 15/10, painted with epoxy-polyester powders | Mechanical resistance | IK10 |
| No. locks | 2 | No. of modules EN 50022 | 36 (12x3) |
| Application | For indoor use | Dispersible power A (W) | 70 |
| Dispersible power B (W) | 58 | Functional dim. LxHxD (mm) | 310x425x160 |
| Operating temperature | -25 +60 °C | Type of material | Metal |
| Electrocod | 0320 | Standard | EN 61439-1, EN 61439-2, EN62208, EN 60670-1, IEC 60670-24 |
| Family | 46 QM | Maximum rated insulation voltage (Ui) | 690 V |
| Type of door | Blank door | | |

DIMENSIONAL



TECHNICAL SYMBOLOGY

IP

IP55

IK

IK10

STANDARDS/APPROVALS

