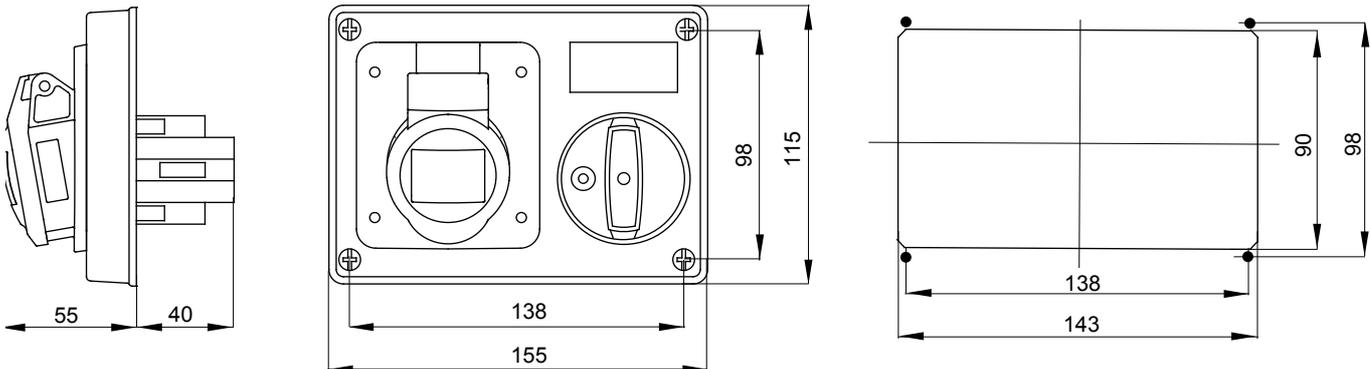




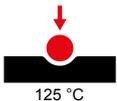
Industrial-type socket-outlets conforming to IEC 309 Standard, with mechanical interlock consisting of a circuit breaker enabling the plug to be connected and disconnected only in the open position, and the switch to close only with the plug inserted. Wide range including models with rotary switch and fuseholder base, AUTOMATIKA with 6kA C characteristic miniature circuit breaker, and version with safety transformer. High application versatility thanks to the possibility of assembly in back-mounting and flush-mounting boxes, and boards of the 68 Q-DIN and Q-MC ranges.

Type	Horizontal	Thermo-pressure with ball	125 °C	
IP degree	IP44	No. of poles	3P+E	
Mechanical resistance	IK08	Frequency	50/60 Hz	
Operating temperature	-25 +40 °C	Protection	NO (SBF)	
With back-mounting box	No	Electrocod	2220	
Glow wire test	850 °C (active parts) - 650 °C (passive parts)		Colour	Black
Rated current (A)	32	Reference h	7	
Rated voltage	480-500 V			

DIMENSIONAL



TECHNICAL SYMBOLOGY



IP
IP44

IK
IK08

GWT

850 °C (active parts)
- 650 °C (passive parts)

STANDARDS/APPROVALS

