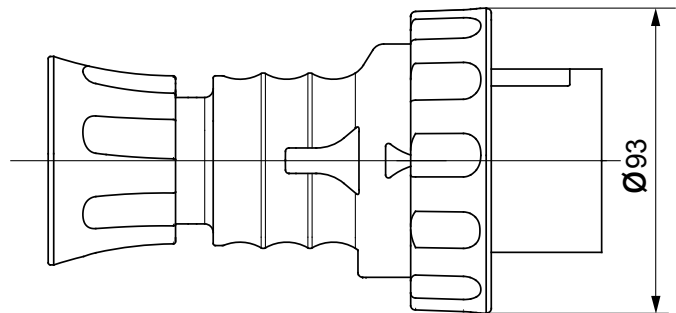
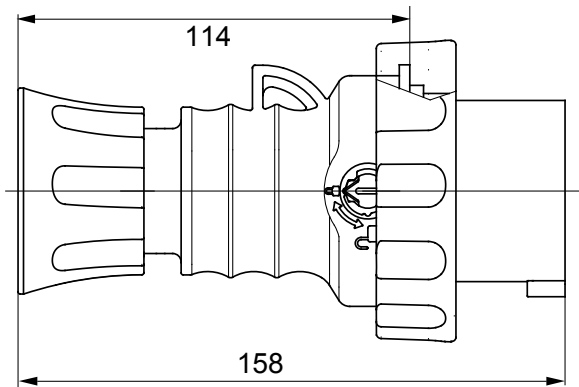




IEC 309 HP: range of straight plugs with phase inverter socket-outlets complying with the safety requisites defined by the international Standards IEC 60309-1 and IEC 60309-2 and assimilated at European level as EN 60309-1 and EN 60309-2. Allow the fast and safe exchange of two phases by using a screwdriver to reverse the direction of rotation of three-phase motors for mobile and fixed equipment. This range expands GEWISS's assortment straight plugs 16-32A, with degree of protection IP44/IP54 for protected versions and IP66/IP67/IP68/IP69 for whatever versions to ensure full protection for all applications. The technopolymers and thickness used for the parts made of insulating material guarantee an elevated degree of mechanical and chemical agent resistance. All the pins of the IEC 309 HP INVERTER plugs are surface-treated with nickel-plating to ensure full protection against corrosion, oxidation and abrasion.

Colour	Blue	Rated current (A)	32
IP degree	IP66/IP67/IP68/IP69	No. of poles	3P+E
Mechanical resistance	IK09	Reference h	9
Rated voltage	200-250 V	Type	Straight plugs with phase inverter
Frequency	50/60 Hz	Terminal tightening capacity	2.5-6mm ² flexible cables
Cable clamp tightening capacity	9.2-19.9 mm	Operating temperature	-25 +55 °C
Type of wiring	With screw	Type of material	Halogen-free in compliance with EN 60754-2
Electrocod	2230	Glow wire test	850 °C (active parts) - 650 °C (passive parts)
Total number of operations	> 2000	Permissible overload	42 A
Breaking capacity at 1.1 Un	40 A	Insulation resistance	> 10 MΩ
Thermo-pressure with ball	125 °C (active parts) - 80 °C (passive parts)		

DIMENSIONAL



TECHNICAL SYMBOLOGY

IP

IP66/IP67/IP68/IP69

IK

IK09



Straight plugs with phase inverter



With screw

HF
HALOGEN FREE

Halogen-free in compliance with EN 60754-2

GWT

850 °C (active parts)
- 650 °C (passive parts)



125 °C (active parts)
- 80 °C (passive parts)

STANDARDS/APPROVALS



UK CA



CE