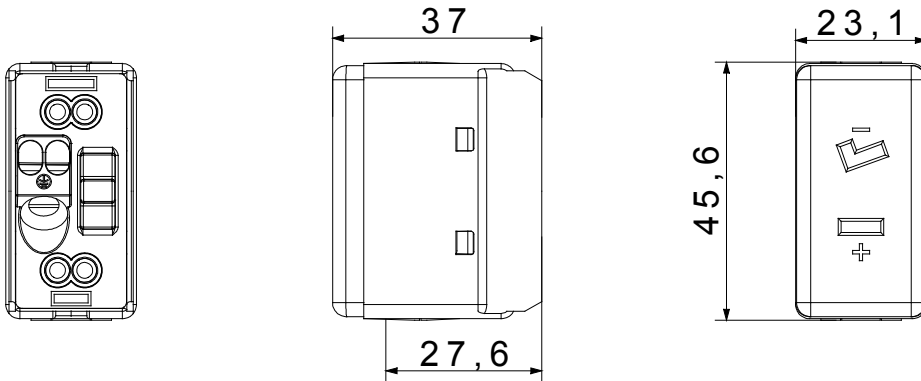




The System modular devices allow the creation of infinite combinations of devices and plates, through a complete range that covers all design, functional and installation needs. Colours and finishes: satin black, elegant and classy. The range includes control units, socket-outlets, breakers, indicators, connectors and devices for the control, safety and comfort of your home.

| | | | |
|---|----------------------|--|-----------------------------------|
| Category | - | Description | 2P - 6A - 24V polarized |
| For plug pins | Flat | Centre distance | 12.4 mm |
| Thermo-pressure with ball | 125 °C | Glow Wire Test | 0 °C |
| Terminal tightening capacity stranded cables (mm ²) | min. 0,75 - max. 2x4 | Terminal tightening capacity solid cables (mm ²) | min. 0,5 - max. 2x2,5 |
| Colour | Black | No. SYSTEM modules | 1 |
| Cable fixing | With screw | Case | Pressure casting zamak metal body |
| Material | Technopolymer | Electrocod | 0131 |

DIMENSIONAL



TECHNICAL SYMBOLOGY



STANDARDS/APPROVALS

