

Product Data Sheet

GW27609

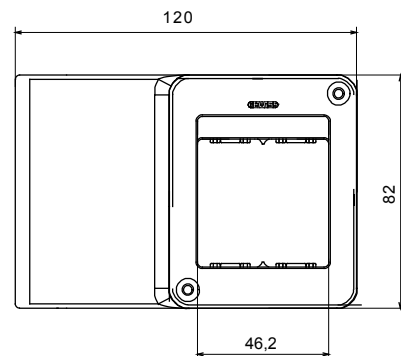
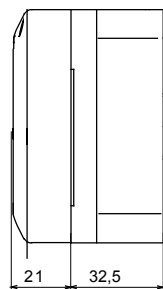
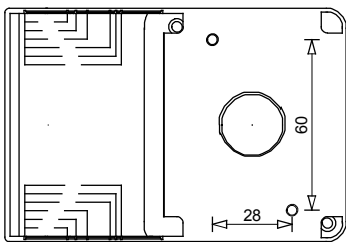
27 COMBI Range



A complete, versatile system of modular containers, perfectly integrable in the SYSTEM domestic range and able to meet the high protection installation requirements of the residential, commercial and industrial sectors. The 27 COMBI range is available both in the IP40 version and in watertight versions with IP55, IP65 and IP66 degree of protection, recommended for all outdoor applications which are subjected to extreme atmospheric conditions.

Description	2 modules	No. gangs	2
Colour	White RAL 9010	No. knockout holes Ø23	1 on the bottom
Type of knockout holes	Removable with tool	IP degree	IP40
Insulation class	II	Mechanical resistance	IK07
Characteristics	Halogen free	Lid screws	Corrosion-resistant steel
Torque screws tightening	0.8 Newton/Meter	Outer dim. LxHxD (mm)	120x82x54
Glow Wire Test	650 °C	Thermo-pressure with ball	70 °C
Standard	EN 50085-2-1	Installation temperature	-5 +60 °C
Electrocod	0212		

DIMENSIONAL



TECHNICAL SYMBOLOGY



Removable with tool

IP

IP40



II

IK

IK07



Halogen free

GWT

650 °C



70 °C

STANDARDS/APPROVALS



GEWISS S.p.A. Via Domenico Bosatelli 1
24069 Cenate Sotto - Bergamo - Italy
tel. +39 035 94 61 11 fax +39 035 94 69 09

www.gewiss.com
sat@gewiss.com
Last update 13/11/2024

Data, measures, designs and pictures are shown only as informative purposes, and could be changed without previous notice