

Product Data Sheet

GW27024

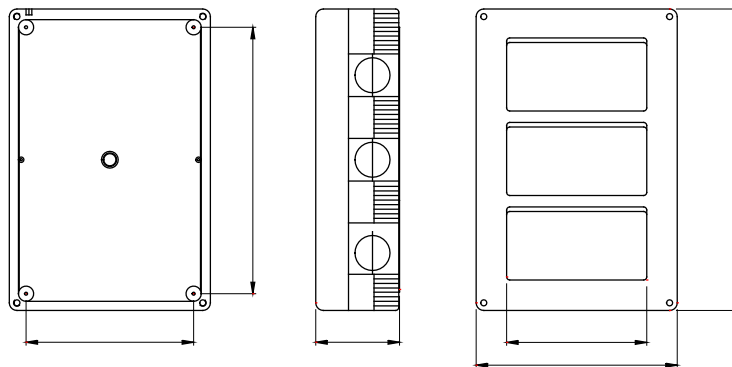
27 COMBI Range



A complete, versatile system of modular containers, perfectly integrable in the SYSTEM domestic range and able to meet the high protection installation requirements of the residential, commercial and industrial sectors. The 27 COMBI range is available both in the IP40 version and in watertight versions with IP55, IP65 and IP66 degree of protection, recommended for all outdoor applications which are subjected to extreme atmospheric conditions.

Description	12 modules	Colour	Grey RAL 7035
No. knockout holes Ø23	12 on sides / 3 on the bottom	Type of knockout holes	Removable with tool
IP degree	IP40	Insulation class	II
Mechanical resistance	IK07	Configuration	Module 4 x 3
Compartment pre-arrangement	3	Characteristics	Halogen free
Lid screws	Corrosion-resistant steel	Torque screws tightening	0.8 Newton/Meter
Outer dim. LxHxD (mm)	132x198x55	Glow Wire Test	650 °C
Thermo-pressure with ball	70 °C	Standard	EN 60670-1
Installation temperature	-25 +60 °C	Electrocod	0212

DIMENSIONAL



TECHNICAL SYMBOLOGY



Removable with tool

IP

IP40



II

IK

IK07



Halogen free

GWT

650 °C



70 °C

STANDARDS/APPROVALS

