

Product Data Sheet

GW38335

CHORUSMART - Domestic range



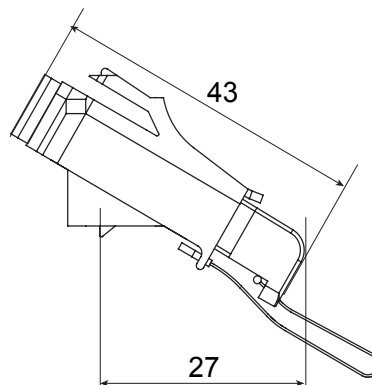
Complete system for the connection and distribution of LAN networks in residential and tertiary sector environments.

The range includes fibre optic solutions, wall panels, floor cabinets and copper wiring products.

The Data Center series provides all the products necessary to create a multi-service fibre optic infrastructure for residential buildings, in full compliance with all the indications dictated by the new CEI Guidelines 306-2 and Law 164/14.

| | | | |
|----------------------|-------------------------------------|-----------------|--|
| Category | Angled fiber optic adapter | Material | Plastic body with ceramic alignment sleeve |
| Colour | Green RAL 6018 | Characteristics | Simplex, single-mode |
| For connectors | SC/APC | Type | Female/Female |
| Compatibility | Keystone Jack | Tilt | 40° |
| Accessories supplied | With safety cap and unmissable cord | | |

DIMENSIONAL



STANDARDS/APPROVALS

