

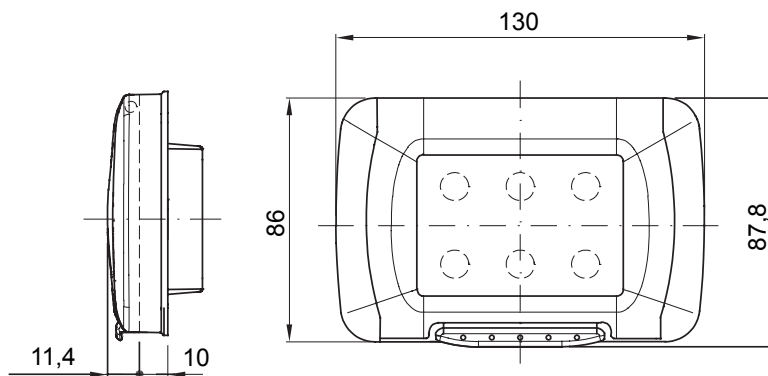
The technopolymer plates, available in two different shapes, Top System and Virna, and in 14 colour shades are the ideal solution for every installation. Top System: classic forms, resistant materials. A line of simple, functional plates that can enhance every environment, bringing harmony and beauty to the entire home. Virna: plates with unmistakable modern style, created to meet the needs of contemporary design. The elegance of the rectangular form is enhanced by the lightness and simplicity of the lines which surround the command buttons. All SYSTEM domestic series plates use the same supports, without the need for additional adapters. The range also includes blank plates, contour plates and watertight plates (degree of protection IP55 with closed lid and with installation on smooth, waterproof walls without grooves i.e. smooth tiles, marble).

Descripción	3 módulos	Color	Negro tóner
Color placa	Negro	Tipo puerta	Con membrana
Color puerta	Traslúcido	Para caja de empotrar	GW24403, GW24403PM
Grado de protección	IP55	Clase aislamiento	II
Resistencia a impactos	IK07	Prueba del hilo incandescente	650 °C
Termopresión con bola	70 °C	Norma de referencia	EN 60669-1
Temperatura de instalación	-25 +60 °C	Código Electrocod	0110

RESISTENCIA A LOS AGENTES QUÍMICOS Y ATMOSFÉRICOS

Solución salina	Ácidos		Bases		Disolventes				Aceite mineral	Rayos UV
	Concentrados	Diluidos	Concentrados	Diluidos	Hexano	Benceno	Acetona	Alcohol etílico		
Resistente	Resistencia limitada	Resistente	Resistente	Resistente	Resistencia limitada	No resistente	No resistente	No resistente	Resistencia limitada	Resistente

DIMENSIONAL



SIMBOLOGÍA TÉCNICA

IP

IP55



II

IK

IK07

GWT

650 °C



70 °C

MARCAS/APROBACIONES

