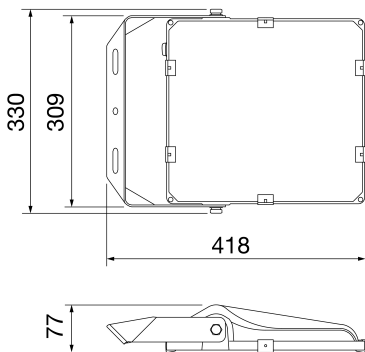




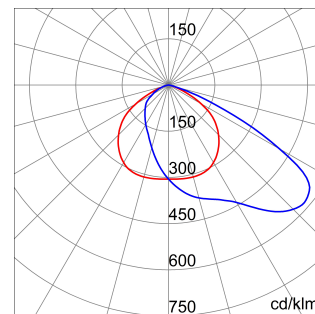
ELIA FL is a LED outdoor floodlight available in low, medium and high power versions for lighting external industrial areas, such as car parks and walkways or driveways. It can be mounted on surfaces, ceilings or on the ground using the adjustable steel bracket supplied with the device, or in the pole head version, courtesy of the dedicated accessory for poles with a diameter of up to 61mm. Crafted from black powder-coated die-cast aluminium, it is available in four sizes and powers, with integrated power supply in the On/Off or DALI options, three types of optic (30°, 60° and asymmetrical) with a colour temperature of 4,000K (neutral white) and a colour rendering index of more than 80. Tough and durable, ELIA FL has been designed to withstand surges of up to 10KV and temperature variations from -30 °C to + 50 °C, and offers protection from water and dust penetration of up to level IP66 and from shocks and impacts of up to level IK08. ELIA FL is quick and easy to install thanks to its limited weight and adjustable bracket.

| ALGEMENE INFORMATIE                              |   | OPTISCHE EN VERLICHTINGSKENMERKEN           |                                   |
|--|---|---|-----------------------------------|
| Context  | Industrie, Logistiek, Gevel, Sport                        | Optiek                                      | Assymetrisch                      |
| Armatuur   | LED-armatuur met klein, middelgroot en hoog lumenvermogen | Unified Glare Rating                        | ULOR = 0%                         |
| Toepassing                                       | Binnen / Buiten   | Lumen output (lm)                           | 13000                             |
| Unieke digitale code (Datamatrix)                | Momenteel niet aanwezig                                   | Effectiviteit (lm/W)                        | 130                               |
| Kleur  | Zwart   | Kleurtemperatuur                            | 4000 K                            |
| Soort lichtbron                                  | LED   | Kleurweergave-index (CRI)                   | CRI 80                            |
| Systeem vermogen                                 | 100 W   | Kleurconsistentie (SDCM)                    | SDCM = 5                          |
| Levensduur led                                   | L80B50 (Tq25°) = 89.000u                                  | Fotobiologisch risicoklasse                 | RG0                               |
| Gewicht (kg)                                     | 3.9   | Standaard                                   | -                                 |
| Garantie   | 5 jaar  | ELEKTRISCHE EN VERLICHTINGSKENMERKEN        |                                   |
| Opslagtemperatuur                                | -40° +85°   | Voeding voltage                             | 100-240 V                         |
| Bedrijfstemperatuur                              | -30° +50°   | Nominale frequentie (Hz)                    | 50 / 60                           |
| MATERIALEN                                       |   | Driver                                      | Inbegrepen                        |
| Behuizing  | Gegoten aluminium   | Uitvalpercentage driver                     | F10 = 80.000u Tq25 °C             |
| Schildtype                                       | Vlak geslepen gehard glas van 4 mm dik met Gewiss-logo    | Overspanningsbescherming                    | Overspanningsbeveiliging 10-6 kV  |
| Optiek   | Met hoogrendement optieksysteem                           | Besturingssysteem                           | AAN UIT                           |
| Pakking  | -   | INSTALLATIE EN ONDERHOUD                    |                                   |
| Slothaak   | -   | Montage en installatie                      | Plafond - Wand - Vloer            |
| Externe schroef                                  | Rvs   | Helling                                     | Gemonteerd met verstelbare beugel |
| Kleur  | Poedercoating   | Bedrading                                   | Met voedingskabel                 |
| NORMEN EN GOEDKEURINGEN                          |   | Bevestiging                                 | -                                 |
| Classificatie                                    | -   | Vervangbaarheid lichtbron                   | Door professional                 |
| Apparaat met gereduceerde oppervlaktetemperatuur | -   | Vervangbaarheid verdeelinrichting           | Door professional                 |
| DIN 18032-3 certificering                        | -   | Driver box                                  | Ingebouwd                         |
| IPEA   | -   | Maximaal oppervlak blootgesteld aan de wind | 0,1 m²                            |
| Isolatie klasse                                  | I   |   | -                                 |
| IP graad   | IP66  |   | -                                 |
| Mechanische weerstand                            | IK08  |   | -                                 |
| Gloeidraadtest                                   | 750 °C  |   | -                                 |

### DIMENSIONAL



### PHOTOMETRIC DISTRIBUTION



### TECHNICAL SYMBOLOGY



IP66

IK  
IK08

750 °C



Product Data Sheet  
**GWF1100MC840**

ELIA FL - Floodlight LED

STANDARDS/APPROVALS

