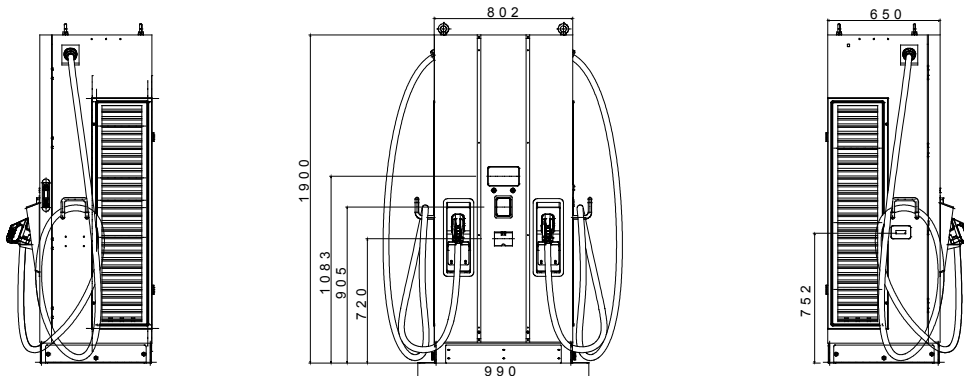




I-FAST products are JOINON's DC fast-charging solutions ideal for charging all types of electric vehicles equipped with high-voltage systems in private or public high-rotation parking lots, highways and service areas. The offer consists of wallboxes up to 30 kW and stations up to 180 kW. They feature an elegant design and finishes that make them an urban and extra-urban furnishing product, with a graphic display for a better User Experience and use of services for the EV Driver user.

Power specification - AC input		Environmental	
Input voltage	3Φ 380 ÷ 415 Vac	Operating temperature	-30°C ÷ +50 °C
AC input connection	3P+N+PE (Wye configuration), TN/TT	Humidity	5% ÷ 95% RH, Non-Condensing
Max input current	3Φ 260A	Altitude	≤ 2.000 m
Frequency	50 Hz / 60 Hz	IP degree	IP55
Power factor	> 0.99	Mechanical resistance	IK10 (not including screen & RFID module)
Efficiency	>94%	Cooling method	Fan cooling
Power specification - DC output		Mechanical	
Output voltage range	CCS2: 150 ÷ 950 Vdc CHAdeMO: 150~500Vdc	Dimension	800 mm x 650 mm x 1.900 mm
Max output current	CCS2: 200A (peak at 250A) CHAdeMO: 120A	Weight	≤500 kg
Maximum output power	180 kW	Cable length	4.5 m
Voltage/Current accuracy	±2%	Protection	
User interface & control		Input protection	
Display	7" LCD	OVP, OCP, OPP, OTP, UVP, RCD, SPD	
Push buttons	Operation Buttons / Emergency Stop Button	Output protection	
User Authentication	OCPP 1.6 JSON, QR Code, App	SCP, OCP, OVP, LVP, OTP, IMD	
Meter		Regulation	
AC MID Meter, Integrated DC Meter		Accessibility	
		PAS1899:2022, subclause 5.2, Table 2, "Height range requirements" (refer to manual for more details)	
Communication		Safety	
External		Certificate	
Ethernet, Wi-Fi and 4G		IEC 61851-1, IEC 61851-23, IEC 61851-21-2	
Internal		Charging interface	
CAN bus / RS485		DIN 70121, ISO 15118-2	
Contactless Solution		National	
Payment terminal		UK Public CP Regulation 2023 (manufacturer requirements)	
Yes, Payter P66			

DIMENSIONAL



TECHNICAL SYMBOLOGY

IP

IP55

IK10 (not including screen & RFID module)

STANDARDS/APPROVALS

