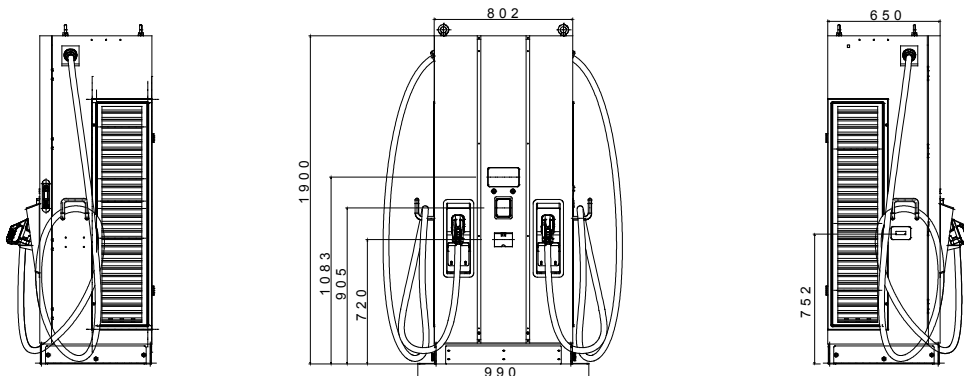




I-FAST products are JOINON's DC fast-charging solutions ideal for charging all types of electric vehicles equipped with high-voltage systems in private or public high-rotation parking lots, highways and service areas. The offer consists of wallboxes up to 30 kW and stations up to 180 kW. They feature an elegant design and finishes that make them an urban and extra-urban furnishing product, with a graphic display for a better User Experience and use of services for the EV Driver user.

<b>Power specification - AC input</b>		<b>Environmental</b>	
Input voltage	3Φ 380 + 415 Vac	Operating temperature	-30°C + +50 °C
AC input connection	3P+N+PE (Wye configuration), TN/TT	Humidity	5% + 95% RH, Non-Condensing
Max input current	3Φ 217A	Altitude	≤ 2.000 m
Frequency	50 Hz / 60 Hz	IP degree	IP55
Power factor	> 0.99	Mechanical resistance	IK10 (not including screen & RFID module)
Efficiency	>94%	Cooling method	Fan cooling
<b>Power specification - DC output</b>		<b>Mechanical</b>	
Output voltage range	CCS2: 150 + 950 Vdc	Dimension	800 mm x 650 mm x 1.900 mm
Max output current	CCS2: 200A (peak at 250A)	Weight	≤460 kg
Maximum output power	150 kW	Cable length	4.5 m
Voltage/Current accuracy	±2%	<b>Protection</b>	
<b>User interface &amp; control</b>		Input protection	
Display	7" LCD	Output protection	
Push buttons	Operation Buttons / Emergency Stop Button	SCP, OCP, OVP, LVP, OTP, IMD	
User Authentication	OCPP 1.6 JSON, QR Code, App	<b>Regulation</b>	
Meter		Safety	
AC MID Meter, Integrated DC Meter		CE, CB	
<b>Communication</b>		Certificate	
External		IEC 61851-1, IEC 61851-23, IEC 61851-21-2	
Ethernet, Wi-Fi and 4G		Charging interface	
Internal		DIN 70121, ISO 15118-2	
CAN bus / RS485		National	
UK Public CP Regulation 2023 (manufacturer requirements)		-	
<b>Contactless Solution</b>		-	
Payment terminal		Yes, Payter P66	

### DIMENSIONAL



### TECHNICAL SYMBOLOGY

## IP

IP55

IK10 (not including screen & RFID module)

STANDARDS/APPROVALS

