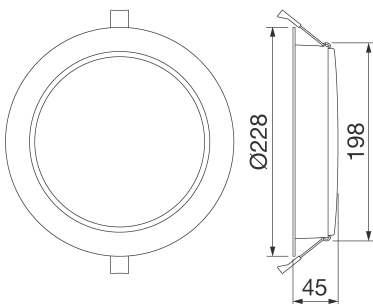




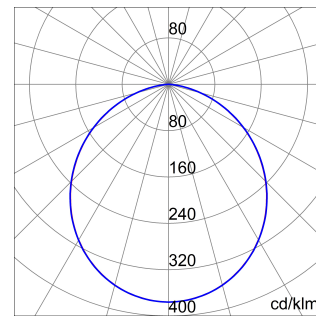
ELIA DL Flush-mounting LED downlight for lighting entrance areas, corridors and shared spaces, crafted from white power-coated die-cast aluminium with an opal diffusing shield. It is available in two power versions, with separate electronic power supply in the On/Off or DALI options provided as part of a kit, colour temperature of 4,000 K (neutral white) and colour rendering index of more than 80 or more than 90. ELIA DL has been designed to withstand temperature variations from -20°C to + 45°C, and offers protection from water and dust penetration of up to level IP54 and from shocks and impacts of up to level IK06. Light and easy to handle, ELIA DL is easy to install thanks to the connector for the electrical wiring and the quick, simple fin-locking mechanism.

GENERAL INFORMATION		OPTIC AND ILLUMINATING FEATURES	
Context	Interior lighting	Optic	Wide opal
Luminaire	LED luminaire for diffuse light	Unified Glare Rating	-
Application	Internal	Lumen output (lm)	2600
Unique digital code (Datamatrix)	Currently not present	Efficacy (lm/W)	104
Colour	White	Colour temperature	4000 K
Type of light source	LED	Colour Rendering Index	CRI 80
System power	25 W	Standard Deviation Colour Matching	SDCM = 3
LED Lifetime	L80B50 (Tq25°) = 50.000h	Photobiological Risk Class	RG0
Weight (kg)	0.8	Standard	EN 60598-1; EN 60598-2-2; IEC/TR 62778; EN 62493
Warranty	5 years	ELETRICAL AND LIGHTING FEATURES	
Stocking temperature	-20° +65°	Supply voltage	220-240 V
Operating temperature	-20° +45°	Rated frequency (Hz)	50 / 60
MATERIALS		Driver	External - Included
Body	Die-cast aluminium	Driver failure rate	F025 (Tq=25°C) = 50.000 h
Shield type	Polycarbonate	Overvoltage protection	DM 0,5 kV
Optic	Opalescent polycarbonate diffuser	Control System	DALI
Gasket	-	INSTALLATION AND MAINTENANCE	
Locking Hook	-	Mounting and installation	For flush-mounting
External screw	-	Tilt	-
Colour	Powder coating	Wiring	With connection terminal on driver
STANDARDS AND APPROVALS		Fixing	Via springs integrated with the luminaire
Classification	-	Light souce replaceability	Non-replaceable
Device with reduced surface temperature	-	Controlgear replaceability	By professional
DIN 18032-3 certification	Not available	Driver Box	-
IPEA	-	Maximum surface exposed to the wind	-
Insulation class	II	-	-
IP degree	IP40 - IP54	-	-
Mechanical resistance	IK06	-	-
Glow Wire Test	650 °C	-	-

DIMENSIONAL



PHOTOMETRIC DISTRIBUTION



TECHNICAL SYMBOLOGY



IK

IK06

IP40 - IP54

650 °C



Product Data Sheet
GWF1511MA840

ELIA DL - Downlight LED

STANDARDS/APPROVALS

