



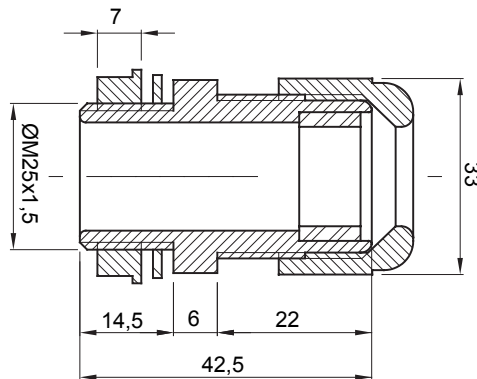
Systems of accessories for electrical installations used for residential, tertiary and industrial applications. The system consists of fasteners for pipes and cables, cable fittings, accessories for rigid pipes (RK Series) and flexible conduit (DF Series). The system include also a wide variety of cable ties (52FS Range) and terminal blocks (44 Range).

| | | | |
|----------------|---------------|-----------------------|-------------------------------------|
| Colour | Grey RAL 7035 | IP degree | IP68 |
| Material | Nylon | For cables Ø (mm) | from 13 to 18 |
| ISO pitch | 25x1.5 | Mounting hole Ø (mm) | 25 |
| Description | Cable gland | Type of pitch | M25 |
| Glow Wire Test | 650 °C | Operating temperature | -25 +65 °C |
| Electrocod | 36B | Standard | EN 50262 - IEC 62444 - IEC/EN 60243 |

BEHAVIOUR WITH CHEMICAL AND ATMOSPHERIC AGENTS

| Saline solution | Acids | | Bases | | Solvents | | | | Mineral oil | UV rays |
|-----------------|--------------------|--------------------|--------------|-----------|-----------|-----------|-----------|---------------|-------------|--------------------|
| | Concentrated | Diluted | Concentrated | Diluted | Hexane | Benzol | Acetone | Ethyl alcohol | | |
| Resistant | Limited resistance | Limited resistance | Resistant | Resistant | Resistant | Resistant | Resistant | Resistant | Resistant | Limited resistance |

DIMENSIONAL



TECHNICAL SYMBOLOGY

IP

IP68

GWT

650 °C



-25 +65 °C

STANDARDS/APPROVALS

