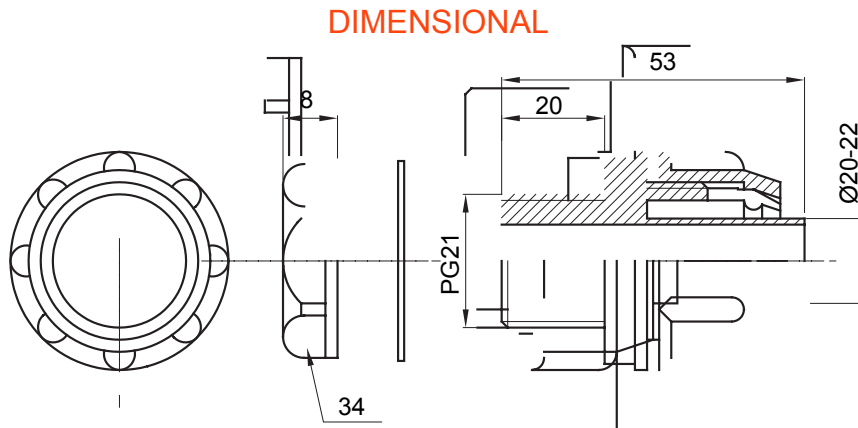




Straight and revolving coupling device for sheath with IP54 protection degree.

Colour	Grey RAL 7035	IP degree	IP54
PG pitch	21	Sheath Ø (mm)	20-22
Type	Fixed	Electrocod	210



### TECHNICAL SYMBOLOGY

**IP**

IP54

### STANDARDS/APPROVALS

