

# Product Data Sheet

## DX56240

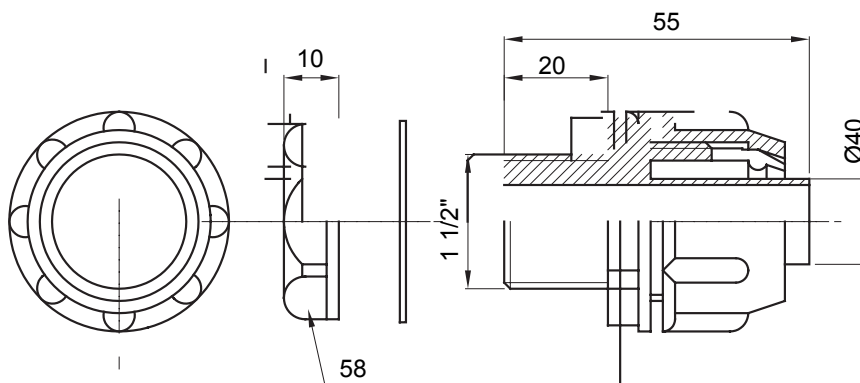
DF Range



Straight and revolving coupling device for sheath with IP54 protection degree.

Colour	Grey RAL 7035	IP degree	IP54
GAS pitch	1 1/2"	Sheath Ø (mm)	40
Type	Fixed	Electrocod	210

### DIMENSIONAL



### TECHNICAL SYMBOLOGY

**IP**

IP54

### STANDARDS/APPROVALS

