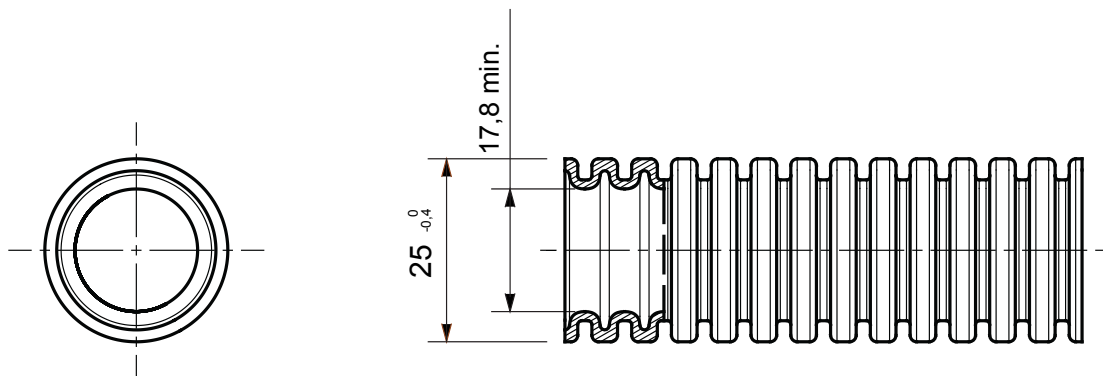




Pliable protective conduit system ICTA range, made of PP: classification 3422, available in seven diameters, from 16 to 63 mm, with or without cable puller and in four different colour to allow the identification of the various electrical lines. Suitable for electrical system and/or data transmission. Suitable for flush-mounting installation in concrete, plasterboard walls and floating floors. Certified Halogen Free in compliance with EN 60754-2 and suitable for hollow walls for instance in public areas (theatres, schools and cinemas...). The pallets of ICTA conduits are packed in white stretch film to prevent direct exposure of the products to UV rays and greater weather resistance.

Colour	Grey RAL 7035	Material	PP self-extinguishing
Type	with cable puller	Conduits Ø (mm)	25
Glow Wire Test	850 °C	Type of material	Halogen free in compliance with EN 60754-2 e Low smoke in compliance with EN 61034-2
Electrocod	2111	Resistance to compression	3 (Medium - 750 N)
Resistance to impact	4 (Heavy - 6 J)	Resistance to bending	3 (Pliable - self recovering)
Electrical characteristics	2 (With electrical insulating characteristics)	Protection against ingress of solid objects without accessories	0
Protection against ingress of water	0	Resistance against corrosion	PP naturally resistant to corrosion
Fire resistance	1 (Non-flame propagating)	Insulation resistance	100 MΩ a 500V for 1 minute
Protection against ingress of solid objects with GF coupling	4	Dielectric rigidity	2000 V a 50 Hz for 15 minutes
Standard	EN 61386-1 EN 61386-22	Classification	3422

DIMENSIONAL



TECHNICAL SYMBOLOGY

GWT

850 °C



EN 61034-2
EN 60754-2



STANDARDS/APPROVALS

