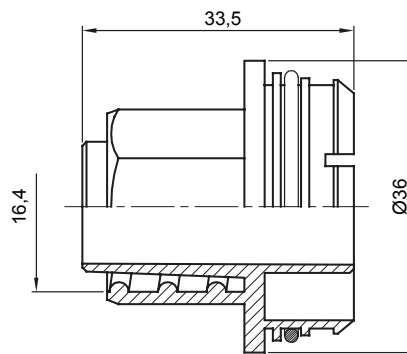
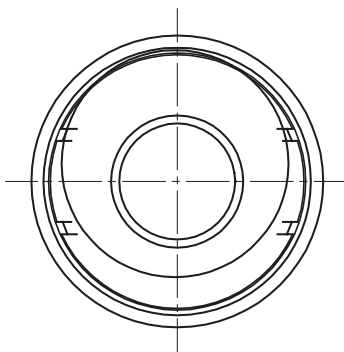




Routing components for rigid protective conduits with IP40 and IP67 protection degree.

Colour	Grey RAL 7035	Characteristics	-
Sheath Ø (mm)	12	Electrocod	21221

### DIMENSIONAL



### STANDARDS/APPROVALS

