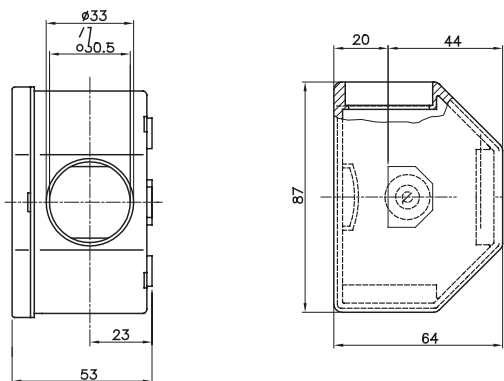




Routing components for rigid protective conduits with IP40 and IP67 protection degree.

|             |               |                       |          |
|-------------|---------------|-----------------------|----------|
| Colour      | Grey RAL 7035 | Outer dim. LxHxD (mm) | 87x64x53 |
| IP degree   | IP54          | Characteristics       | -        |
| Description | TX3-3 inputs  | Electrocod            | 21221    |

### DIMENSIONAL



### TECHNICAL SYMBOLOGY

# IP

IP54

### STANDARDS/APPROVALS

