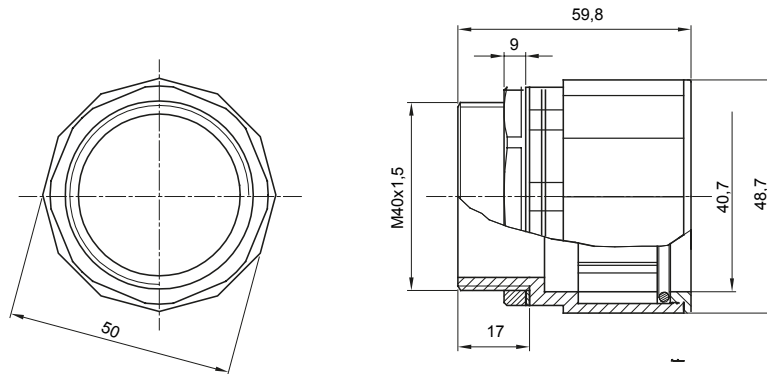




Routing components for rigid protective conduits with IP40 and IP67 protection degree.

| | | | |
|-----------------|---------------|------------------|------------------------------------------|
| Colour | Grey RAL 7035 | IP degree | IP67 |
| ISO pitch | M 40x1.5 | For holes Ø (mm) | 40 |
| Conduits Ø (mm) | 40 | Type of material | Halogen free in compliance with EN 50642 |
| Electrocod | 21221 | | |

DIMENSIONAL



TECHNICAL SYMBOLOGY



IP67

STANDARDS/APPROVALS

